

Overview

- 12 mm
- PNP make function (NO)
- connector M12
- -25 ... 75 °C
- IP 67



Picture similar



Technical data

General data

Mounting type	Non-flush
Nominal sensing distance S _n	12 mm
Hysteresis	3 ... 25 % of S _r
Output indicator	4 port LED red

Electrical data

Switching frequency	500 Hz
Voltage supply range +V _s	6 ... 36 VDC
Current consumption max. (no load)	15 mA
Output circuit	PNP make function (NO)
Voltage drop V _d	< 3 VDC
Output current	< 200 mA

Electrical data

Short circuit protection	Yes
Reverse polarity protection	Yes

Mechanical data

Type	Cylindrical threaded
Material (sensing face)	PBT
Housing material	Brass nickel plated
Dimension	18 mm
Housing length	52.5 mm
Connection types	Connector M12
Tightening torque max.	40 Nm (Front: 28 Nm)

Ambient conditions

Operating temperature	-25 ... +75 °C
Protection class	IP 67

Remarks

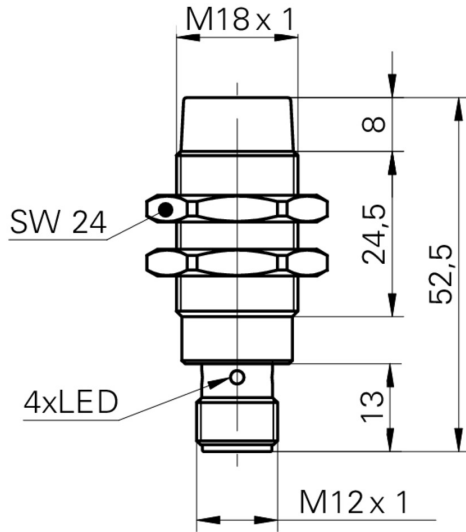
- Non-flush mounting

IFRM 18P1301/S14L

Inductive proximity switch

Article number: 10129856

Dimension drawing



Connection diagram

