

Overview

- 8 mm
- PNP make function (NO)
- cable, 2 m
- -25 ... 75 °C
- IP 67



Picture similar



Technical data

General data

Mounting type Quasi-flush

Nominal sensing distance
S_n 8 mm

Hysteresis 3 ... 20 % of S_r

Output indicator LED red

Electrical data

Switching frequency 500 Hz

Voltage supply range +V_s 6 ... 36 VDC

Current consumption max.
(no load) 10 mA

Output circuit PNP make function (NO)

Voltage drop V_d < 2 VDC

Output current < 200 mA

Electrical data

Short circuit protection Yes

Reverse polarity protection Yes

Mechanical data

Type Cylindrical threaded

Material (sensing face) PBT

Housing material Brass nickel plated

Dimension 18 mm

Housing length 50 mm

Connection types Cable, L=2 m

Tightening torque max. 40 Nm

Ambient conditions

Operating temperature -25 ... +75 °C

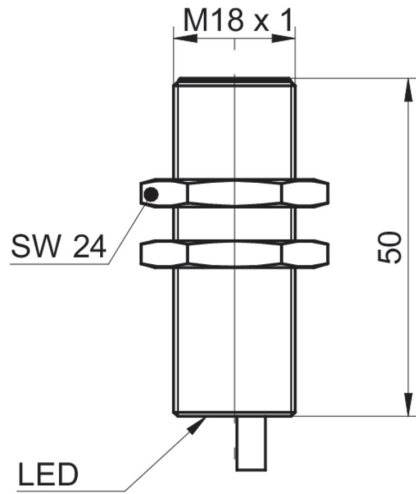
Protection class IP 67

Remarks

- Not for flush mounting in mild steel

IFRM 18P17A3/L

Dimension drawing



Connection diagram

