

## IFRM 30P1101/S14L

Inductive proximity switch - standard

Article number: 10216368

### Overview

- 15 mm
- PNP make function (NO)
- connector M12
- -25 ... 75 °C
- IP 67



Picture similar



### Technical data

#### General data

Mounting type	Non-flush
Nominal sensing distance S <sub>n</sub>	15 mm
Hysteresis	3 ... 20 % of S <sub>r</sub>
Output indicator	4 port LED red

#### Electrical data

Switching frequency	500 Hz
Voltage supply range +V <sub>s</sub>	10 ... 50 VDC
Current consumption max. (no load)	10 mA
Output circuit	PNP make function (NO)
Voltage drop V <sub>d</sub>	< 3 VDC
Output current	< 200 mA

#### Electrical data

Short circuit protection	Yes
Reverse polarity protection	Yes

#### Mechanical data

Type	Cylindrical threaded
Material (sensing face)	PBT
Housing material	Brass nickel plated
Dimension	30 mm
Housing length	74.4 mm
Connection types	Connector M12
Tightening torque max.	200 Nm (Front: 140 Nm)

#### Ambient conditions

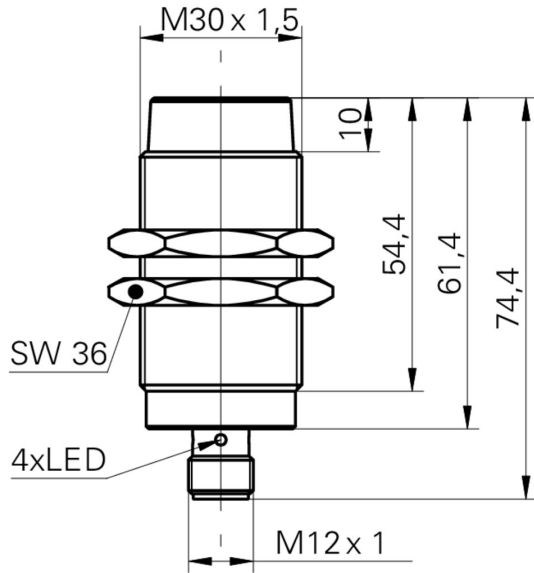
Operating temperature	-25 ... +75 °C
Protection class	IP 67

# IFRM 30P1101/S14L

Inductive proximity switch - standard

Article number: 10216368

## Dimension drawing



## Connection diagram

