

IFRP 12P1501/S14

Inductive sensors special versions - pressure resistant

Article number: 10119595

Overview

- 2 mm
- PNP make function (NO)
- connector M12
- -25 ... 80 °C
- IP 68/67 (sensing face/sensor)



Picture similar



Technical data

General data

| | |
|--------------------------------------------|------------------------------|
| Mounting type | Flush |
| Special type | High pressure |
| Nominal sensing distance S _n | 2 mm |
| Hysteresis | 2 ... 20 % of S _r |

Electrical data

| | |
|---------------------------------------|------------------------|
| Switching frequency | < 5 kHz |
| Voltage supply range +V _s | 6 ... 30 VDC |
| Current consumption max. (no load) | 12 mA |
| Output circuit | PNP make function (NO) |
| Voltage drop V _d | < 2 VDC |
| Output current | < 200 mA |
| Short circuit protection | Yes |
| Reverse polarity protection | Yes |

Mechanical data

| | |
|---------------------------------|----------------------|
| Type | Cylindrical threaded |
| Material (sensing face) | Ceramic |
| Housing material | Stainless steel |
| Peak pressure | 1000 bar |
| Operating pressure static | < 500 bar |
| Operating pressure dy- namic | < 350 bar |
| Dimension | 12 mm |
| Housing length | 50 mm |
| Connection types | Connector M12 |

Ambient conditions

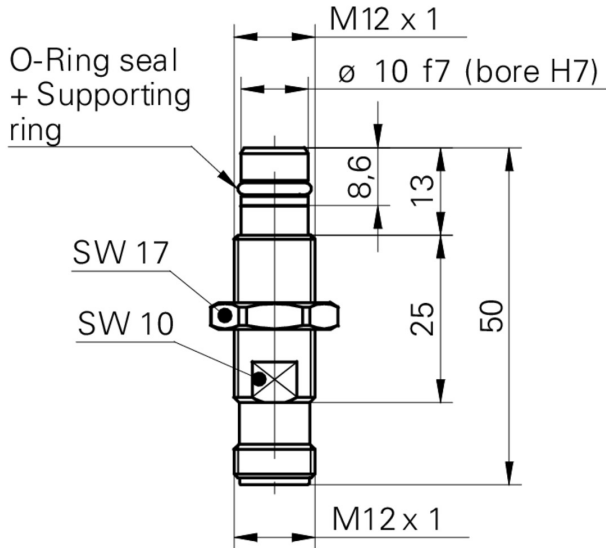
| | |
|-----------------------|--------------------------------|
| Operating temperature | -25 ... +80 °C |
| Protection class | IP 68/67 (sensing face/sensor) |

IFRP 12P1501/S14

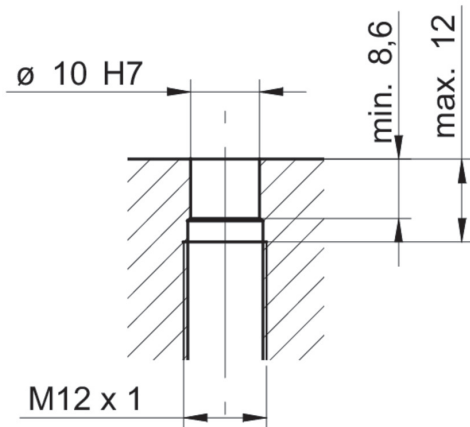
Inductive sensors special versions - pressure resistant

Article number: 10119595

Dimension drawing



Installation drawing



Connection diagram

