

Overview

- 2 mm
- 1,6 mm
- PNP make function (NO)
- connector M8
- -25 ... 75 °C
- IP 67



Picture similar

Technical data

General data

| | |
|--|---|
| Mounting type | Flush |
| Nominal sensing distance S _n | 2 mm |
| Assured sensing distance S _a | 1,6 mm |
| Temperature drift | ± 10 % of S _r (0 ... +60 °C) |
| Hysteresis | 3 ... 20 % of S _r |
| Output indicator | 3 port LED red |

Electrical data

| | |
|---------------------------------------|------------------------|
| Switching frequency | < 3 kHz |
| Voltage supply range +V _s | 10 ... 30 VDC |
| Current consumption max. (no load) | 15 mA |
| Output circuit | PNP make function (NO) |

Electrical data

| | |
|-----------------------------|-----------|
| Voltage drop V _d | < 2,5 VDC |
| Output current | < 200 mA |
| Short circuit protection | Yes |
| Reverse polarity protection | Yes |

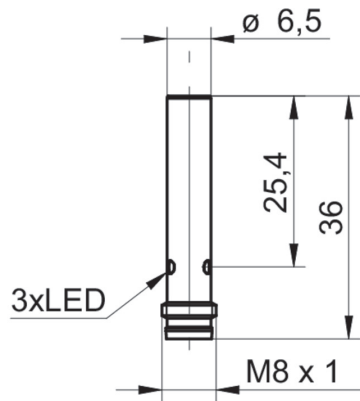
Mechanical data

| | |
|-------------------------|--------------------|
| Type | Cylindrical smooth |
| Material (sensing face) | PBT, red |
| Housing material | Stainless steel |
| Dimension | 6,5 mm |
| Housing length | 36 mm |
| Connection types | Connector M8 |

Ambient conditions

| | |
|-----------------------|----------------|
| Operating temperature | -25 ... +75 °C |
| Protection class | IP 67 |

Dimension drawing



Connection diagram

