

Overview

- 2 mm
- 1,6 mm
- PNP break function (NC)
- connector M8
- -25 ... 75 °C
- IP 67



Picture similar

Technical data

General data

Mounting type	Flush
Nominal sensing distance S _n	2 mm
Assured sensing distance S _a	1,6 mm
Temperature drift	± 10 % of S _r (0 ... +60 °C)
Hysteresis	3 ... 20 % of S _r
Output indicator	3 port LED red

Electrical data

Switching frequency	< 3 kHz
Voltage supply range +V _s	10 ... 30 VDC
Current consumption max. (no load)	15 mA
Output circuit	PNP break function (NC)

Electrical data

Voltage drop V _d	< 2,5 VDC
Output current	< 200 mA
Short circuit protection	Yes
Reverse polarity protection	Yes

Mechanical data

Type	Cylindrical smooth
Material (sensing face)	PBT, red
Housing material	Stainless steel
Dimension	6,5 mm
Housing length	36 mm
Connection types	Connector M8

Ambient conditions

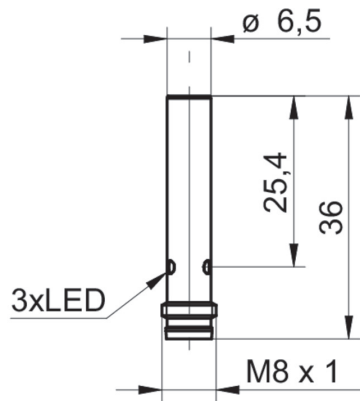
Operating temperature	-25 ... +75 °C
Protection class	IP 67

IGYX 06P37B3/S35L

Inductive proximity switch

Article number: 11181427

Dimension drawing



Connection diagram

