

**overview**

- 8 mm
- 6,4 mm
- NPN break function (NC)
- connector M12
- -25 ... 75 °C
- IP 67



**Technical data**

**general data**

mounting type	quasi-flush
nominal sensing distance S <sub>n</sub>	8 mm
assured sensing distance S <sub>a</sub>	6,4 mm
temperature drift	± 10 % of S <sub>r</sub> (0 ... +60 °C)
hysteresis	3 ... 20 % of S <sub>r</sub>
output indicator	3 port LED red

**electrical data**

switching frequency	< 400 Hz
voltage supply range +V <sub>s</sub>	10 ... 30 VDC
current consumption max. (no load)	15 mA
output circuit	NPN break function (NC)
voltage drop V <sub>d</sub>	< 2,5 VDC

**electrical data**

output current	< 200 mA
short circuit protection	yes
reverse polarity protection	yes

**mechanical data**

type	cylindrical threaded
material (sensing face)	PBT, red
housing material	brass nickel plated
dimension	18 mm
housing length	60 mm
connection types	connector M12
tightening torque max.	25 Nm

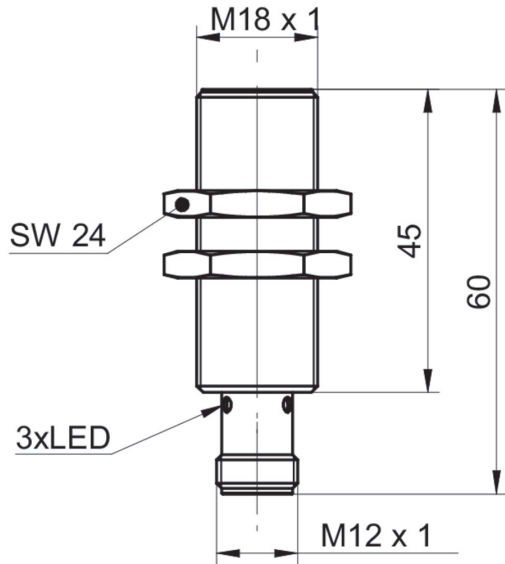
**ambient conditions**

operating temperature	-25 ... +75 °C
protection class	IP 67

**remarks**

- Compliant with EMC requirements of EN 60947-5-2: 2007

**dimension drawing**



**connection diagram**

