

overview

- 15 mm
- 12 mm
- NPN make function (NO)
- cable, 2 m
- -25 ... 75 °C
- IP 67



Technical data

general data

mounting type	flush
nominal sensing distance S _n	15 mm
assured sensing distance S _a	12 mm
temperature drift	± 10 % of S _r (0 ... +60 °C)
hysteresis	3 ... 20 % of S _r
output indicator	LED red

electrical data

switching frequency	< 400 Hz
voltage supply range +V _s	10 ... 30 VDC
current consumption max. (no load)	15 mA
output circuit	NPN make function (NO)
voltage drop V _d	< 2,5 VDC

electrical data

output current	< 200 mA
short circuit protection	yes
reverse polarity protection	yes

mechanical data

type	cylindrical threaded
material (sensing face)	PBT, red
housing material	brass nickel plated
dimension	30 mm
housing length	50 mm
connection types	cable, 2 m
tightening torque max.	60 Nm

ambient conditions

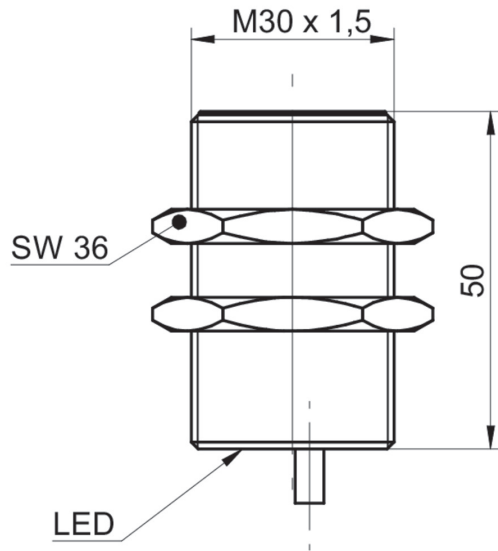
operating temperature	-25 ... +75 °C
protection class	IP 67

remarks

- Compliant with EMC requirements of EN 60947-5-2: 2007

IGYX 30N17B3/L

dimension drawing



connection diagram

