

**Overview**

- 6 mm
- NPN make function (NO)
- connector M8
- -25 ... 75 °C
- IP 67



Picture similar



**Technical data**

**General data**

|                             |   |
|-----------------------------|---|
| Mounting type               | Non-flush   |
| Special type                | Enhanced distance (GammaProx)                         |
| Nominal sensing distance Sn | 6 mm  |
| Temperature drift           | ± 10 % (0 ... +60 °C)<br>± 15 % (-25 ... +75 °C)      |
| Hysteresis                  | 3 ... 20 % of Sr                                      |
| Output indicator            | 3 port LED red  |
| Correction factor typ.      | Mild steel 100 %, stainless steel 80 %, aluminum 50 % |

**Electrical data**

|                                    |              |
|------------------------------------|--------------|
| Switching frequency                | < 400 Hz     |
| Voltage supply range +Vs           | 6 ... 36 VDC |
| Current consumption max. (no load) | 12 mA        |

**Electrical data**

|                             |                        |
|-----------------------------|------------------------|
| Output circuit              | NPN make function (NO) |
| Voltage drop Vd             | < 2 VDC                |
| Output current              | < 100 mA               |
| Short circuit protection    | Yes                    |
| Reverse polarity protection | Yes                    |

**Mechanical data**

|                         |                    |
|-------------------------|--------------------|
| Type                    | Cylindrical smooth |
| Material (sensing face) | PBT                |
| Housing material        | Stainless steel    |
| Dimension               | 6,5 mm             |
| Housing length          | 46 mm              |
| Connection types        | Connector M8       |

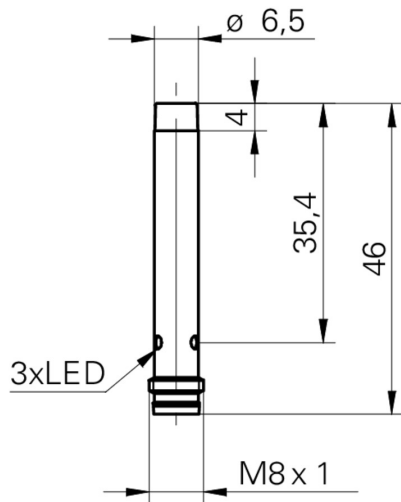
**Ambient conditions**

|                       |                |
|-----------------------|----------------|
| Operating temperature | -25 ... +75 °C |
| Protection class      | IP 67          |

**Remarks**

- Triple sensing distance

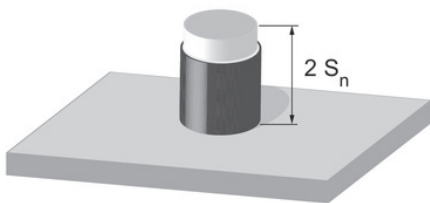
**Dimension drawing**



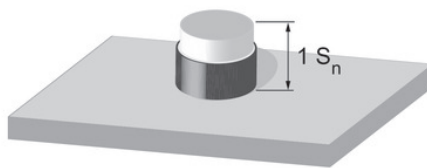
**Connection diagram**



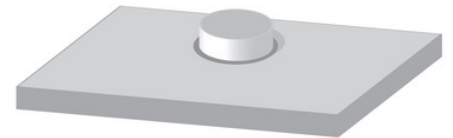
**Correction factors for different mounting situation (approx.)**



| Mounting material | Correction factor |
|-------------------|-------------------|
| Mild steel        | 100 %             |
| Stainless steel   | 100 %             |
| Aluminum          | 100 %             |



| Mounting material | Correction factor |
|-------------------|-------------------|
| Mild steel        | 110 %             |
| Stainless steel   | 95 %              |
| Aluminum          | 90 %              |



| Mounting material | Correction factor |
|-------------------|-------------------|
| Mild steel        | not possible      |
| Stainless steel   | 95 %              |
| Aluminum          | 80 %              |

**Mounting instructions**

