

Overview

- 6 mm
- PNP break function (NC)
- connector M8
- -25 ... 75 °C
- IP 67



Picture similar



Technical data

General data

Mounting type	Non-flush
Special type	Enhanced distance (GammaProx)
Nominal sensing distance Sn	6 mm
Temperature drift	± 10 % (0 ... +60 °C) ± 15 % (-25 ... +75 °C)
Hysteresis	3 ... 20 % of Sr
Output indicator	3 port LED red
Correction factor typ.	Mild steel 100 %, stainless steel 80 %, aluminum 50 %

Electrical data

Switching frequency	400 Hz
Voltage supply range +Vs	6 ... 36 VDC
Current consumption max. (no load)	12 mA

Electrical data

Output circuit	PNP break function (NC)
Voltage drop Vd	< 2 VDC
Output current	< 100 mA
Short circuit protection	Yes
Reverse polarity protection	Yes

Mechanical data

Type	Cylindrical smooth
Material (sensing face)	PBT
Housing material	Stainless steel
Dimension	6.5 mm
Housing length	46 mm
Connection types	Connector M8

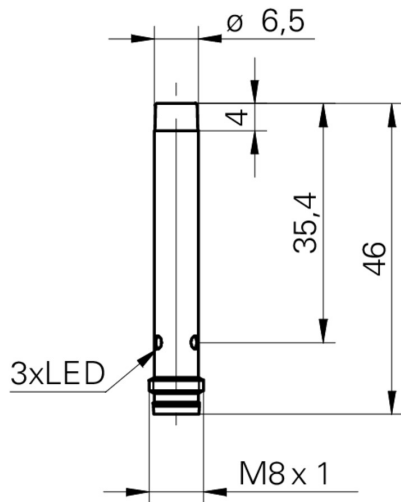
Ambient conditions

Operating temperature	-25 ... +75 °C
Protection class	IP 67

Remarks

- Triple sensing distance

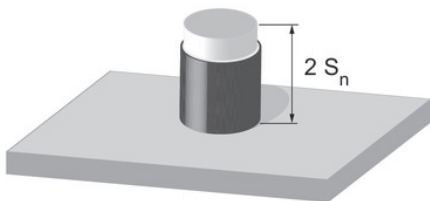
Dimension drawing



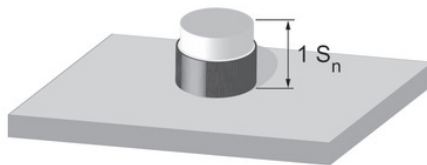
Connection diagram



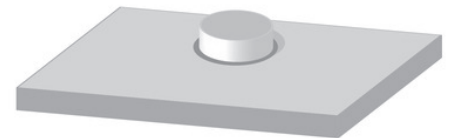
Correction factors for different mounting situation (approx.)



Mounting material	Correction factor
Mild steel	100 %
Stainless steel	100 %
Aluminum	100 %



Mounting material	Correction factor
Mild steel	110 %
Stainless steel	95 %
Aluminum	90 %



Mounting material	Correction factor
Mild steel	not possible
Stainless steel	95 %
Aluminum	80 %

Mounting instructions

