

Overview

- 0 ... 3 mm
- voltage output
- cable, 2 m
- -10 ... 70 °C
- IP 67



Picture similar



Technical data

General data

Mounting type	Quasi-flush
Measuring distance Sd	0 ... 3 mm
Resolution	< 0.001 mm (stat.) < 0.01 mm (dynam.)
Repeat accuracy	0.02 mm
Linearity error	± 120 µm (S = 0,75 ... 2,25 mm) ± 360 µm (S = 0 ... 3 mm)
Temperature drift	± 4 % (Full Scale: 0 ... +60 °C) ± 6 % (Full Scale: -10 ... +70 °C)

Electrical data

Response time (factory characteristic)	< 0.5 ms
Voltage supply range +Vs	12 ... 36 VDC
Current consumption max. (no load)	10 mA
Output circuit	Voltage output

Electrical data

Output signal	0 ... 10 VDC
Load resistance	> 4000 Ohm
Short circuit protection	Yes
Reverse polarity protection	Yes

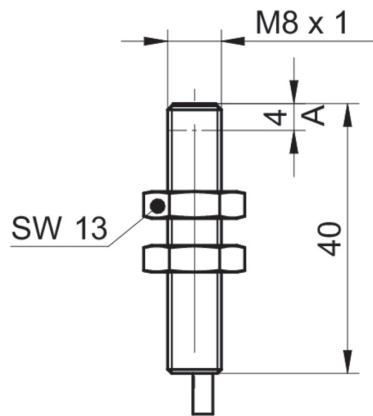
Mechanical data

Design	Cylindrical threaded
Material (sensing face)	PBT
Housing material	Stainless steel
Dimension	8 mm
Housing length	40 mm
Connection types	Cable, L=2 m
Tightening torque max.	10 Nm (A: 7 Nm)

Ambient conditions

Operating temperature	-10 ... +70 °C
Protection class	IP 67

Dimension drawing



Connection diagram

