

Overview

- 2 mm
- NPN make function (NO)
- cable, 2 m
- -25 ... 75 °C
- IP 67



Picture similar



Technical data

General data		Electrical data	
Mounting type	Flush	Short circuit protection	Yes
Special type	Factor 1	Reverse polarity protection	Yes
Nominal sensing distance	2 mm	Mechanical data	
Nominal sensing distance	2 mm	Type	Cylindrical threaded
Hysteresis	3 ... 20 % of Sr	Material (sensing face)	PBT
Output indicator	LED red	Housing material	Stainless steel
Electrical data		Dimension	8 mm
Switching frequency	< 3 kHz	Housing length	40 mm
Voltage supply range +Vs	5 ... 36 VDC	Connection types	Cable, 2 m
Current consumption max. (no load)	12 mA	Tightening torque max.	10 Nm
Output circuit	NPN make function (NO)	Ambient conditions	
Voltage drop Vd	< 2 VDC	Operating temperature	-25 ... +75 °C
Output current	< 200 mA	Storage temperature	-40 ... +85 °C
		Protection class	IP 67

Remarks

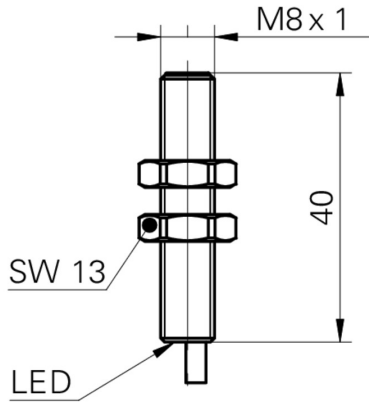
- Robust steel housings
- High switching frequency
- Same sensing distance on all metals (no reduction factor)

IR08.P02F-F40.NO1Z.7SCV

Inductive proximity switch - factor 1 - all metals

Article number: 11119429

Dimension drawing



Connection diagram

