

Overview

- 2 mm
- PNP break function (NC)
- cable, 2 m
- -25 ... 75 °C
- IP 67



Picture similar



Technical data

General data

Mounting type	Flush
Special type	Factor 1
Nominal sensing distance S _n	2 mm
Hysteresis	3 ... 20 % of S _r
Output indicator	LED red

Electrical data

Switching frequency	< 3 kHz
Voltage supply range +V _s	5 ... 36 VDC
Current consumption max. (no load)	12 mA
Output circuit	PNP break function (NC)
Voltage drop V _d	< 2 VDC
Output current	< 200 mA

Electrical data

Short circuit protection	Yes
Reverse polarity protection	Yes

Mechanical data

Type	Cylindrical threaded
Material (sensing face)	PBT
Housing material	Stainless steel
Dimension	8 mm
Housing length	40 mm
Connection types	Cable, 2 m
Tightening torque max.	10 Nm

Ambient conditions

Operating temperature	-25 ... +75 °C
Storage temperature	-40 ... +85 °C
Protection class	IP 67

Remarks

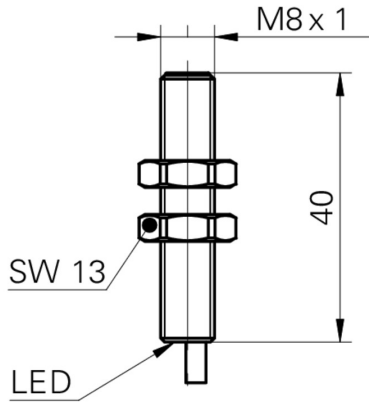
- Robust steel housings
- High switching frequency
- Same sensing distance on all metals (no reduction factor)

IR08.P02F-F40.PC1Z.7SCV

Inductive proximity switch - factor 1 - all metals

Article number: 11119430

Dimension drawing



Connection diagram

