

**Overview**

- 2 mm
- NPN break function (NC)
- connector M8
- -25 ... 75 °C
- IP 67



Picture similar



**Technical data**

General data		Electrical data	
Mounting type	Flush	Short circuit protection	Yes
Special type	Factor 1	Reverse polarity protection	Yes
Nominal sensing distance S <sub>n</sub>	2 mm	Mechanical data	
Hysteresis	3 ... 20 % of S <sub>r</sub>	Type	Cylindrical threaded
Output indicator	3 port LED red	Material (sensing face)	PBT
Electrical data		Housing material	Stainless steel
Switching frequency	< 3 kHz	Dimension	8 mm
Voltage supply range +V <sub>s</sub>	5 ... 36 VDC	Housing length	46 mm
Current consumption max. (no load)	12 mA	Connection types	Connector M8
Output circuit	NPN break function (NC)	Tightening torque max.	10 Nm
Voltage drop V <sub>d</sub>	< 2 VDC	Ambient conditions	
Output current	< 200 mA	Operating temperature	-25 ... +75 °C
		Storage temperature	-40 ... +85 °C
		Protection class	IP 67

**Remarks**

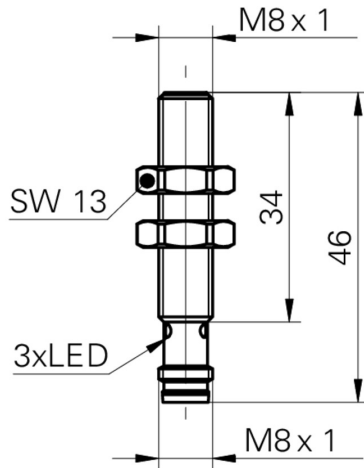
- Robust steel housings
- High switching frequency
- Same sensing distance on all metals (no reduction factor)

# IR08.P02F-F46.NC1Z.7SL

Inductive proximity switch - factor 1 - all metals

Article number: 11119427

## Dimension drawing



## Connection diagram

