

Overview

- 2,75 ... 3 mm
- voltage output
- external Teach-in
- connector M12
- -10 ... 60 °C
- IP 67



Picture similar



Technical data

General data

Mounting type	Flush
Special type	Linearized High sensitivity
Measuring distance Sd	2,75 ... 3 mm
Sensitivity	40 V/mm (Range: 0,25 mm)
Resolution	< 0,00025 mm (stat.) < 0,0005 mm (dynam.)
Repeat accuracy	< 0,001 mm
Adjustment	External Teach-in
Teach	1-point analog, factory reset
Linearity error	± 5 µm
Temperature drift	± 4 % (Full Scale; +10 ... +30 °C) ± 12 % (Full Scale; -10 ... +60 °C)
Teach-Feedback	LED yellow

Electrical data

Response time (factory characteristic)	< 3 ms
Voltage supply range +Vs	12 ... 30 VDC

Electrical data

Current consumption max. (no load)	15 mA
Output circuit	Voltage output
Output signal	0 ... 10 VDC
Load resistance	> 4000 Ohm
Short circuit protection	Yes
Reverse polarity protection	Yes

Mechanical data

Type	Cylindrical threaded
Material (sensing face)	Ceramic
Housing material	Steel nickel plated
Dimension	12 mm
Housing length	60 mm
Connection types	Connector M12
Tightening torque max.	15 Nm

Ambient conditions

Operating temperature	-10 ... +60 °C
Protection class	IP 67

Remarks

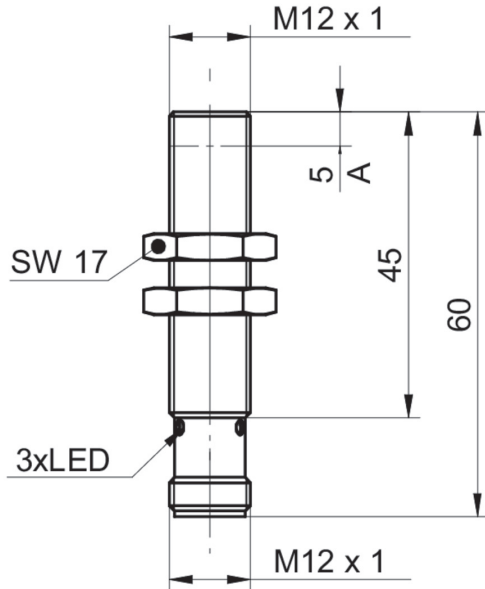
- Measuring range (0,25 mm) adjustable within 0 - 3 mm
- Linear analog output
- High sensitivity (other sensitivities on request)

IR12.D03K-F60.UA1E.7FO/B015

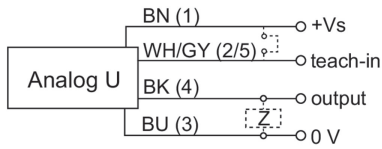
Inductive distance sensors - high sensitivity

Article number: 11158153

Dimension drawing



Connection diagram



Pin assignment

