

Overview

- 0 ... 4 mm
- voltage output
- cable, 2 m
- -25 ... 75 °C
- IP 67



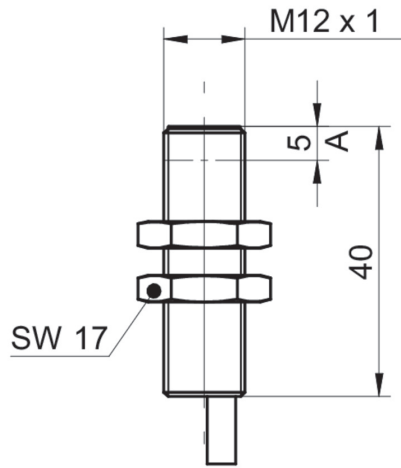
Picture similar



Technical data

General data		Electrical data	
Mounting type	Flush	Output signal	0 ... 10 VDC
Measuring distance Sd	0 ... 4 mm	Load resistance	> 4000 Ohm
Resolution	< 0.001 mm (stat.) < 0.005 mm (dynam.)	Short circuit protection	Yes
Repeat accuracy	0.01 mm	Reverse polarity protection	Yes
Linearity error	± 80 µm (S = 1 ... 3 mm) ± 280 µm (S = 0 ... 4 mm)	Mechanical data	
Temperature drift	± 2 % (Full Scale: 0 ... +60 °C) ± 3 % (Full Scale: -25 ... +75 °C)	Design	Cylindrical threaded
Electrical data		Material (sensing face)	PBT
Response time (factory characteristic)	< 1 ms	Housing material	Brass nickel plated
Voltage supply range +Vs	12 ... 36 VDC	Dimension	12 mm
Current consumption max. (no load)	10 mA	Housing length	40 mm
Output circuit	Voltage output	Connection types	Cable, L=2 m
		Tightening torque max.	15 Nm (A: 10 Nm)
		Ambient conditions	
		Operating temperature	-25 ... +75 °C
		Protection class	IP 67

Dimension drawing



Connection diagram

