

Overview

- 0 ... 6 mm
- voltage output / PNP
- external Teach-in
- connector M12
- -25 ... 75 °C (Vs = 12 ... 30 VDC)
- -25 ... 60 °C (Vs = 12 ... 36 VDC)
- IP 67



Picture similar



Technical data

General data

Mounting type	Quasi-flush
Special type	2 adjust. switching points Linearized
Measuring distance Sd	0 ... 6 mm
Sensitivity	1,67 V/mm
Resolution	< 0.003 mm (stat.) < 0.005 mm (dynam., S = 0 ... 4 mm) < 0.022 mm (dynam., S = 0 ... 6 mm)
Repeat accuracy	0.01 mm
Adjustment	External Teach-in
Teach	1-point analog, window digital, factory re-set
Linearity error	± 25 µm (S = 0 ... 4 mm) ± 60 µm (S = 0 ... 6 mm)
Temperature drift	± 2 % (Full Scale: S = 0 ... 4 mm) ± 5 % (Full Scale: S = 0 ... 6 mm)
Output indicator	LED red
Teach-Feedback	LED yellow

Electrical data

Response time (factory characteristic)	< 1 ms
--	--------

Electrical data

Voltage supply range +Vs	12 ... 36 VDC
Current consumption max. (no load)	15 mA
Output circuit	Voltage output / PNP
Output signal	0 ... 10 VDC
Load resistance	> 4000 Ohm
Output current	100 mA (PNP)
Short circuit protection	Yes
Reverse polarity protection	Yes

Mechanical data

Design	Cylindrical threaded
Material (sensing face)	PBT
Housing material	Brass nickel plated
Dimension	12 mm
Housing length	60 mm
Connection types	Connector M12
Tightening torque max.	15 Nm (A: 10 Nm)

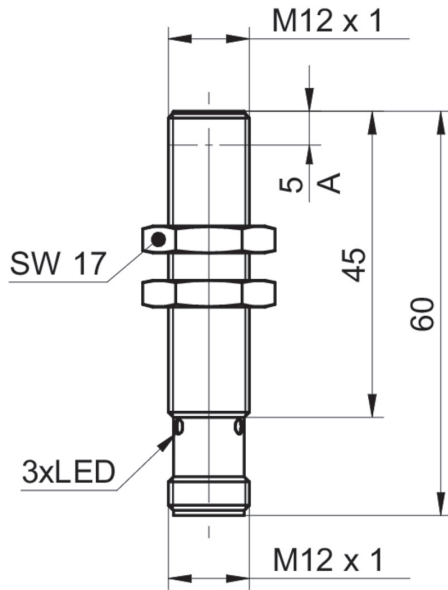
Ambient conditions

Operating temperature	-25 ... +75 °C (Vs = 12 ... 30 VDC) -25 ... +60 °C (Vs = 12 ... 36 VDC)
Protection class	IP 67

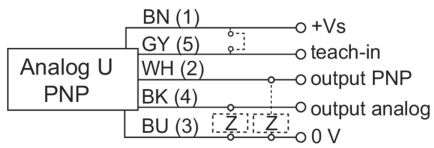
Remarks

- External Teach-in
- Integrated analog- and switching output
- Linear analog output

Dimension drawing



Connection diagram



Pin assignment

