

Overview

- 0 ... 6 mm
- current output
- connector M12
- -25 ... 75 °C
- IP 67



Picture similar



Technical data

General data

Mounting type	Quasi-flush
Measuring distance Sd	0 ... 6 mm
Resolution	< 0.005 mm (stat.) < 0.01 mm (dynam.)
Repeat accuracy	0.01 mm
Linearity error	± 300 µm (S = 1,5 ... 4,5 mm) ± 720 µm (S = 0 ... 6 mm)
Temperature drift	± 4 % (Full Scale: 0 ... +60 °C) ± 6 % (Full Scale: -25 ... +75 °C)

Electrical data

Response time (factory characteristic)	< 1 ms
Voltage supply range +Vs	8 ... 36 VDC
Current consumption max. (no load)	10 mA
Output circuit	Current output

Electrical data

Output signal	4 ... 20 mA
Load resistance	< 50 Ohm/V * Vs - 150 Ohm > 500 Ohm (Vs = 30 ... 36 VDC)
Short circuit protection	Yes
Reverse polarity protection	Yes

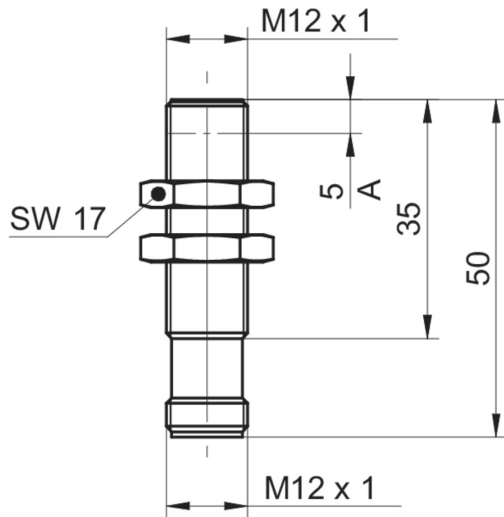
Mechanical data

Design	Cylindrical threaded
Material (sensing face)	PBT
Housing material	Brass nickel plated
Dimension	12 mm
Housing length	50 mm
Connection types	Connector M12
Tightening torque max.	15 Nm (A: 10 Nm)

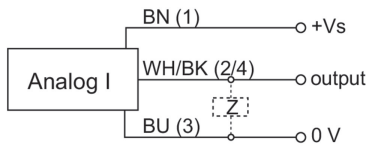
Ambient conditions

Operating temperature	-25 ... +75 °C
Protection class	IP 67

Dimension drawing



Connection diagram



Pin assignment

