

Overview

- distance measuring
- 0 ... 10 mm
- push-pull
- IO-Link
- connector M12
- -25 ... 75 °C
- IP 67



Picture similar



Technical data

General data		Electrical data	
Mounting type	Flush	Reverse polarity protection	Yes
Special type	Linearized	Mechanical data	
Type	Distance measuring	Design	Cylindrical threaded
Measuring distance Sd	0 ... 10 mm	Material (sensing face)	PBT
Resolution	< 0.005 mm (High Accuracy Mode)	Housing material	Brass nickel plated
Repeat accuracy	0.015 mm	Dimension	18 mm
Adjustment	IO-Link	Housing length	60 mm
Teach	Single point, Two point, Window	Connection types	Connector M12
Linearity error	± 40 µm (S = 0 ... 8 mm) ± 160 µm (S = 0 ... 10 mm)	Tightening torque max.	40 Nm
Temperature drift	± 3 % (Full Scale)	Ambient conditions	
Hysteresis	< 99 % (adjustable)	Operating temperature	-25 ... +75 °C
Power on indication	LED green	Protection class	IP 67
Output indicator	LED yellow	Communication interface	
Electrical data		Interface	IO-Link V1.1
Response time (factory characteristic)	< 1 ms	Baud rate	230,4 kBaud (COM 3)
Switching frequency	800 Hz	Cycle time	≥ 0.6 ms
Voltage supply range +Vs	8 ... 36 VDC	Process data length	32 Bit
Current consumption max. (no load)	15 mA	Process data structure	Bit 0 = SSC1 (distance) Bit 1 = SSC2 (distance) Bit 3 = alarm Bit 4 = SSC3 (frequency) Bit 5 = SSC4 (counter) Bit 16-31 = 16 Bit measurement
Output circuit	Push-pull IO-Link	IO-Link port type	Class A
Output current	100 mA		
Short circuit protection	Yes		

Technical data

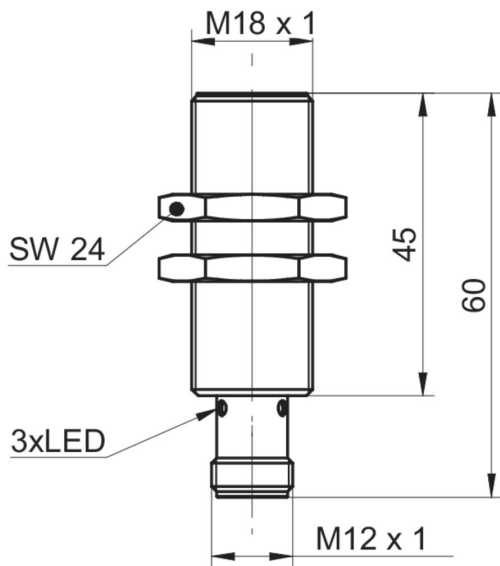
Communication interface

Adjustable parameters	Measuring range
	Switching point
	Switching hysteresis
	Measured value filtering
	Time filters
	LED status indicators
	Output logic
	Output circuit
	Counter
	Deactivate the sensor element
	Find Me function

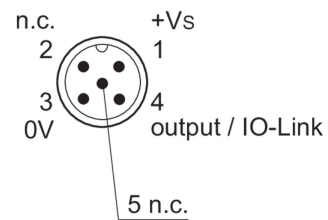
Communication interface

Additional data	Distance
	Frequency
	Operating cycles
	Operating hours
	Boot cycles
	Operating voltage
	Device temperature
	Histograms

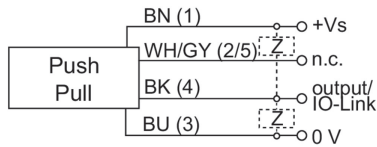
Dimension drawing



Pin assignment



Connection diagram



Resolution

