

Overview

- distance measuring
- 0 ... 10 mm
- push-pull
- IO-Link Dual-channel
- connector M12
- -25 ... 75 °C
- IP 67



Picture similar



Technical data

General data

Mounting type	Flush
Special type	Linearized
Type	Distance measuring
Measuring distance Sd	0 ... 10 mm
Resolution	< 0.005 mm (High Accuracy Mode)
Repeat accuracy	0.015 mm
Adjustment	IO-Link
Teach	Single point, Two point, Window
Linearity error	± 40 µm (S = 0 ... 8 mm) ± 160 µm (S = 0 ... 10 mm)
Temperature drift	± 3 % (Full Scale)
Hysteresis	< 99 % (adjustable)
Power on indication	LED green
Output indicator	LED yellow

Electrical data

Response time (factory characteristic)	< 1 ms
Switching frequency	< 800 Hz
Voltage supply range +Vs	8 ... 36 VDC
Current consumption max. (no load)	20 mA
Output circuit	Push-pull IO-Link dual channel
Output current	< 100 mA
Short circuit protection	Yes

Electrical data

Reverse polarity protection	Yes
-----------------------------	-----

Mechanical data

Type	Cylindrical threaded
Housing material	Brass nickel plated
Dimension	18 mm
Housing length	60 mm
Connection types	Connector M12
Tightening torque max.	40 Nm

Ambient conditions

Operating temperature	-25 ... +75 °C
Protection class	IP 67

Communication interface

Interface	IO-Link V1.1
Baud rate	230,4 kBaud (COM 3)
Cycle time	≥ 0.6 ms
Process data length	32 Bit
Process data structure	Bit 0 = SSC1 (distance) Bit 1 = SSC2 (distance) Bit 3 = alarm Bit 4 = SSC3 (frequency) Bit 5 = SSC4 (counter) Bit 16-31 = 16 Bit measurement

IO-Link port type	Class A
-------------------	---------

Technical data

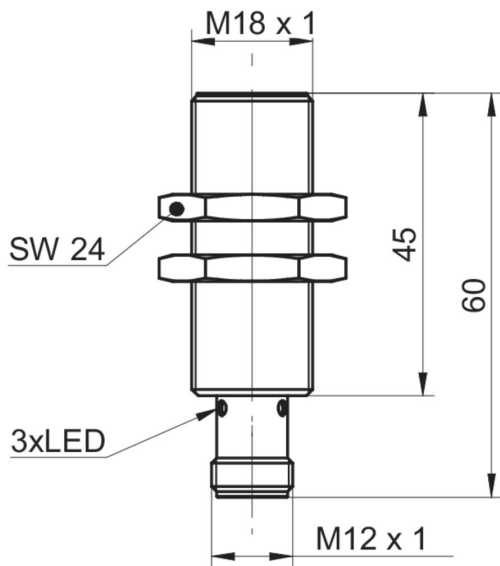
Communication interface

Adjustable parameters	Measuring range
	Switching point
	Switching hysteresis
	Measured value filtering
	Time filters
	LED status indicators
	Output logic
	Output circuit
	Counter
	Deactivate the sensor element
	Find Me function

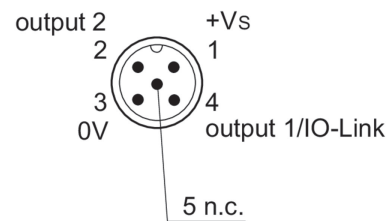
Communication interface

Additional data	Distance
	Frequency
	Operating cycles
	Operating hours
	Boot cycles
	Operating voltage
	Device temperature
	Histograms

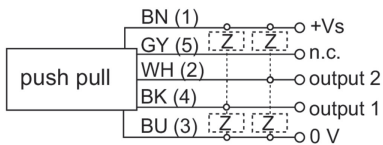
Dimension drawing



Pin assignment



Connection diagram



Resolution

