

Overview

- 10 mm
- PNP make function (NO)
- connector M12 5 pin
- -40 ... 75 °C
- IP 67



Picture similar



Technical data

General data

Mounting type	Flush
Special type	Marine
Nominal sensing distance S _n	10 mm
Temperature drift	± 20 %
Hysteresis	2 ... 18 % of S _r
Output indicator	3 port LED red
Correction factor typ.	Mild steel 100 %, stainless steel 70 %, aluminum 40 %
Approvals/certificates	DNV GL

Electrical data

Switching frequency	< 800 Hz
Voltage supply range +V _s	6 ... 36 VDC
Normal operating voltage	24 VDC
Current consumption max. (no load)	12 mA

Electrical data

Output circuit	PNP make function (NO)
Voltage drop V _d	< 2 VDC
Output current	< 200 mA
Short circuit protection	Yes
Reverse polarity protection	Yes

Mechanical data

Type	Cylindrical threaded
Material (sensing face)	PBT
Housing material	Brass nickel plated, chromium plated
Dimension	18 mm
Housing length	60 mm
Connection types	Connector M12 5 pin
Tightening torque max.	40 Nm

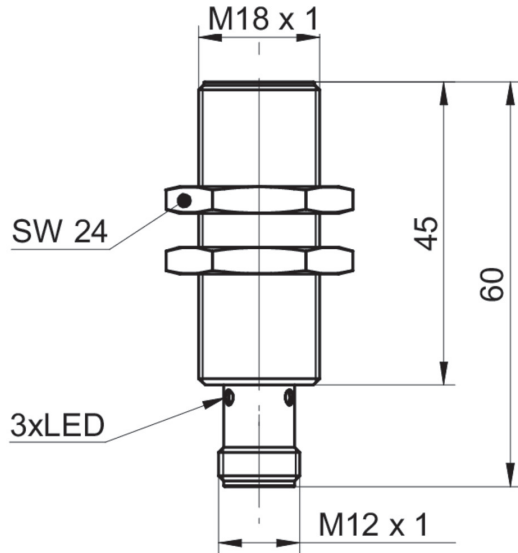
Ambient conditions

Operating temperature	-40 ... +75 °C
Protection class	IP 67

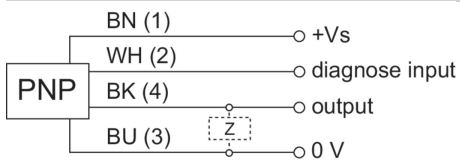
Remarks

- Marine Type Approval (acc. to DNVGL-CG-0339)
- Extended temperature range
- Diagnostic mode

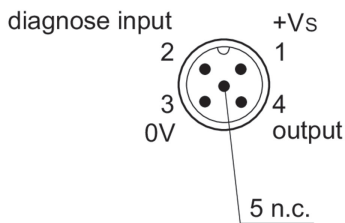
Dimension drawing



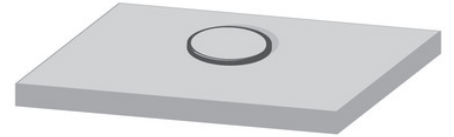
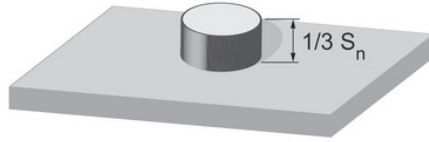
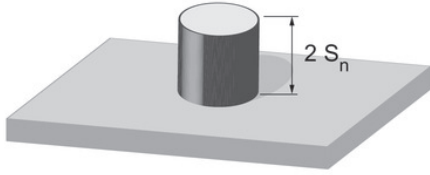
Connection diagram



Pin assignment



Correction factors for different mounting situation (approx.)



Mounting material	Correction factor
Mild steel	100 %
Stainless steel	100 %
Aluminum	100 %

Mounting material	Correction factor
Mild steel	100 %
Stainless steel	100 %
Aluminum	95 %

Mounting material	Correction factor
Mild steel	not possible
Stainless steel	95 %
Aluminum	70 %

Mounting instructions

