

Overview

- 12 mm
- NPN make function (NO)
- connector M12
- -25 ... 75 °C
- IP 67



Picture similar



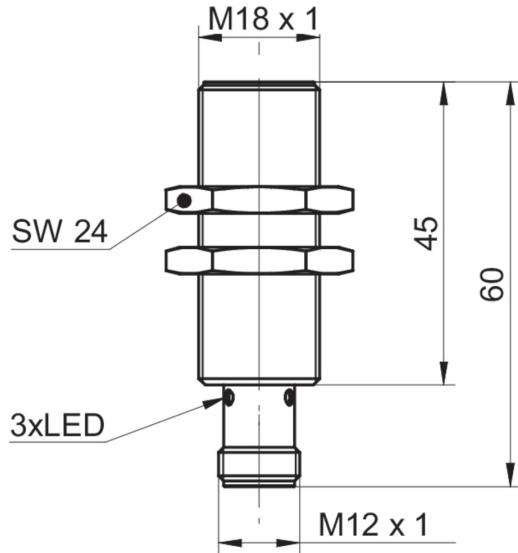
Technical data

General data		Electrical data	
Mounting type	Flush	Voltage drop Vd	< 2 VDC
Special type	Enhanced distance (GammaProx)	Output current	< 100 mA
Nominal sensing distance	12 mm	Short circuit protection	Yes
Sn		Reverse polarity protection	Yes
Temperature drift	± 10 %	Mechanical data	
Hysteresis	3 ... 20 % of Sr	Type	Cylindrical threaded
Output indicator	3 port LED red	Material (sensing face)	PBT
Correction factor typ.	Mild steel 100 %, stainless steel 70 %, aluminum 40 %	Housing material	Brass nickel plated
Electrical data		Dimension	18 mm
Switching frequency	< 400 Hz	Housing length	60 mm
Voltage supply range +Vs	6 ... 36 VDC	Connection types	Connector M12
Current consumption max. (no load)	10 mA	Tightening torque max.	40 Nm
Output circuit	NPN make function (NO)	Ambient conditions	
		Operating temperature	-25 ... +75 °C
		Protection class	IP 67

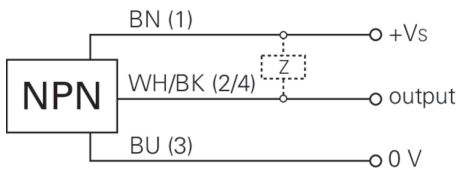
Remarks

- Increased sensing distance

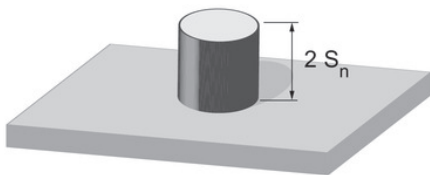
Dimension drawing



Connection diagram



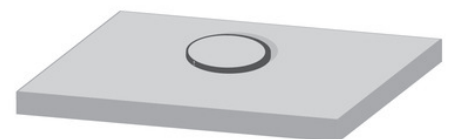
Correction factors for different mounting situation (approx.)



Mounting material	Correction factor
Mild steel	100 %
Stainless steel	100 %
Aluminum	100 %



Mounting material	Correction factor
Mild steel	105 %
Stainless steel	95 %
Aluminum	95 %



Mounting material	Correction factor
Mild steel	not possible
Stainless steel	110 %
Aluminum	65 %

Mounting instructions

