

Overview

- 15 mm
- NPN break function (NC)
- cable, 2 m
- 65 °C
- IP 67



Picture similar



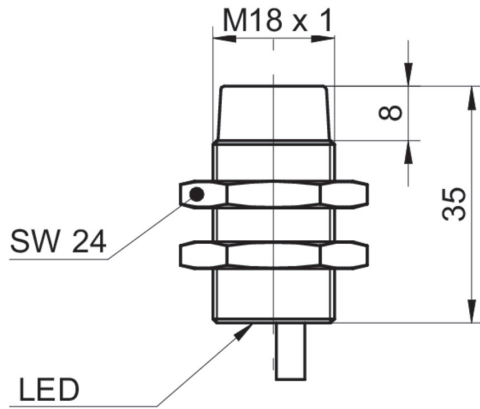
Technical data

General data		Electrical data	
Mounting type	Non-flush	Voltage drop Vd	< 2 VDC
Special type	Enhanced distance (GammaProx)	Output current	< 100 mA
Nominal sensing distance Sn	15 mm	Short circuit protection	Yes
Temperature drift	- 5 % / + 10 % (+10 ... +60 °C) - 5 % / + 15 % (0 ... +65 °C)	Reverse polarity protection	Yes
Hysteresis	3 ... 20 % of Sr	Mechanical data	
Output indicator	LED red	Type	Cylindrical threaded
Correction factor typ.	Mild steel 100 %, stainless steel 85 %, aluminum 55 %	Material (sensing face)	PBT
Electrical data		Housing material	Brass nickel plated
Switching frequency	< 400 Hz	Dimension	18 mm
Voltage supply range +Vs	6 ... 36 VDC	Housing length	35 mm
Current consumption max. (no load)	10 mA	Connection types	Cable, 2 m
Output circuit	NPN break function (NC)	Tightening torque max.	40 Nm
		Ambient conditions	
		Operating temperature	0 ... +65 °C
		Protection class	IP 67

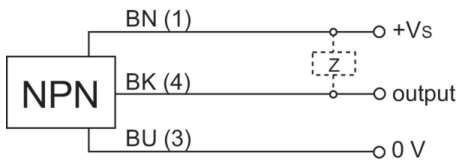
Remarks

- Increased sensing distance

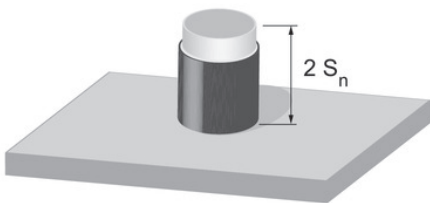
Dimension drawing



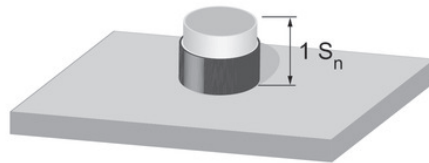
Connection diagram



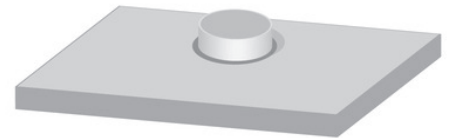
Correction factors for different mounting situation (approx.)



Mounting material	Correction factor
Mild steel	100 %
Stainless steel	100 %
Aluminum	100 %



Mounting material	Correction factor
Mild steel	105 %
Stainless steel	100 %
Aluminum	100 %



Mounting material	Correction factor
Mild steel	not possible
Stainless steel	115%
Aluminum	95 %

Mounting instructions

