

Overview

- 0 ... 18 mm
- voltage output
- external Teach-in
- connector M12
- -25 ... 75 °C
- IP 67



Picture similar



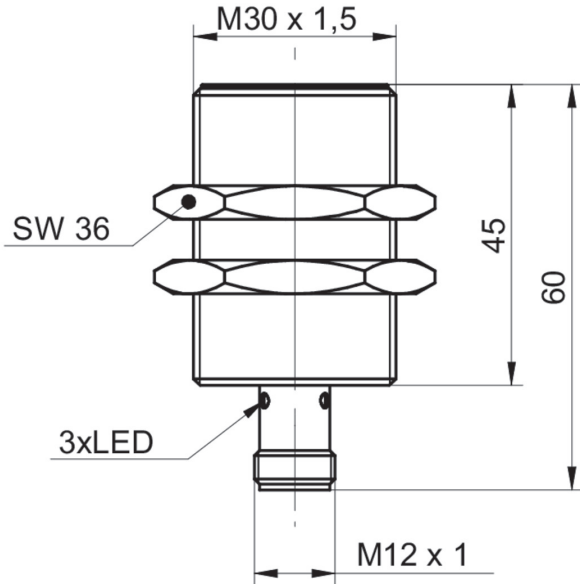
Technical data

General data		Electrical data	
Mounting type	Flush	Output circuit	Voltage output
Special type	Linearized	Output signal	0 ... 10 VDC
Measuring distance Sd	0 ... 18 mm	Load resistance	> 4000 Ohm
Sensitivity	0,56 V/mm	Short circuit protection	Yes
Resolution	< 0.005 mm (stat.) < 0.01 mm (dynam.)	Reverse polarity protection	Yes
Repeat accuracy	0.02 mm	Mechanical data	
Adjustment	External Teach-in	Design	Cylindrical threaded
Teach	1-point analog, 2-point analog, factory re-set	Material (sensing face)	PBT
Linearity error	± 360 µm	Housing material	Brass nickel plated
Temperature drift	± 6 % (Full Scale)	Dimension	30 mm
Teach-Feedback	LED yellow	Housing length	60 mm
Electrical data		Connection types	Connector M12
Response time (factory characteristic)	< 5 ms	Tightening torque max.	100 Nm
Voltage supply range +Vs	12 ... 36 VDC	Ambient conditions	
Current consumption max. (no load)	20 mA	Operating temperature	-25 ... +75 °C
		Protection class	IP 67

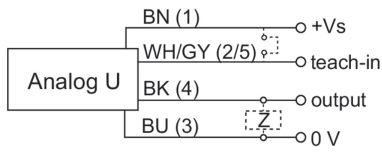
Remarks

- External Teach-in
- Linear analog output

Dimension drawing



Connection diagram



Pin assignment

