

Overview

- 0 ... 24 mm
- voltage output
- connector M12
- -25 ... 75 °C
- IP 67



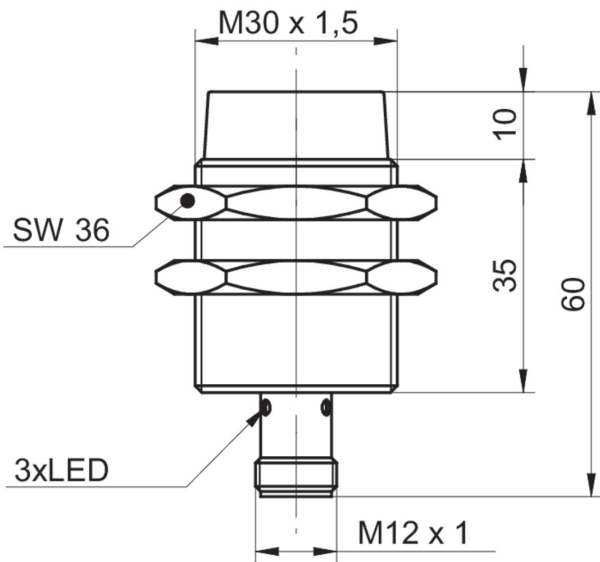
Picture similar



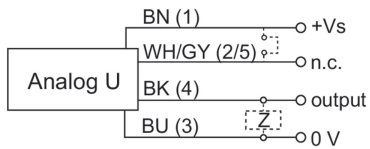
Technical data

General data		Electrical data	
Mounting type	Non-flush	Output signal	0 ... 10 VDC
Measuring distance Sd	0 ... 24 mm	Load resistance	> 4000 Ohm
Resolution	< 0.005 mm (stat.) < 0.01 mm (dynam.)	Short circuit protection	Yes
Repeat accuracy	0.02 mm	Reverse polarity protection	Yes
Linearity error	± 800 µm (S = 6 ... 18 mm) ± 3000 µm (S = 0 ... 24 mm)	Mechanical data	
Temperature drift	± 8 % (Full Scale)	Design	Cylindrical threaded
Electrical data		Material (sensing face)	PBT
Response time (factory characteristic)	< 2 ms	Housing material	Brass nickel plated
Voltage supply range +Vs	12 ... 36 VDC	Dimension	30 mm
Current consumption max. (no load)	10 mA	Housing length	60 mm
Output circuit	Voltage output	Connection types	Connector M12
		Tightening torque max.	100 Nm
		Ambient conditions	
		Operating temperature	-25 ... +75 °C
		Protection class	IP 67

Dimension drawing



Connection diagram



Pin assignment

