

Overview

- 24 mm
- PNP complementary (NO / NC)
- connector M12
- -25 ... 75 °C
- IP 67



Picture similar



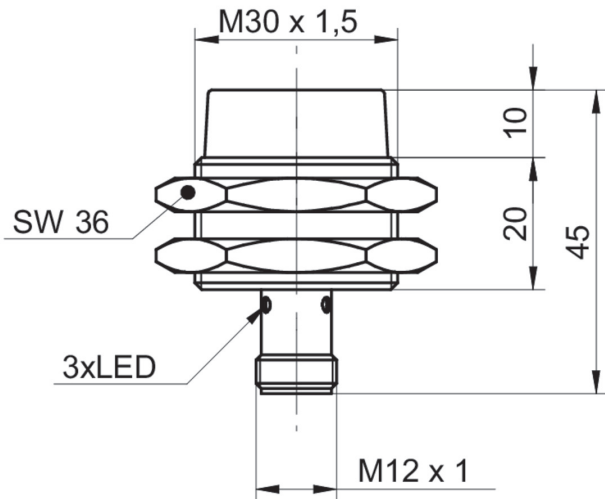
Technical data

General data		Electrical data	
Mounting type	Non-flush	Voltage drop Vd	< 2 VDC
Special type	Enhanced distance (GammaProx)	Output current	< 200 mA
Nominal sensing distance Sn	24 mm	Short circuit protection	Yes
Temperature drift	± 10 %	Reverse polarity protection	Yes
Hysteresis	3 ... 20 % of Sr	Mechanical data	
Output indicator	3 port LED red	Type	Cylindrical threaded
Correction factor typ.	Mild steel 100 %, stainless steel 70 %, aluminum 50 %	Material (sensing face)	PBT
Electrical data		Housing material	Brass nickel plated
Switching frequency	500 Hz	Dimension	30 mm
Voltage supply range +Vs	6 ... 36 VDC	Housing length	45 mm
Current consumption max. (no load)	10 mA	Connection types	Connector M12
Output circuit	PNP complementary (NO / NC)	Tightening torque max.	140 Nm
		Ambient conditions	
		Operating temperature	-25 ... +75 °C
		Protection class	IP 67

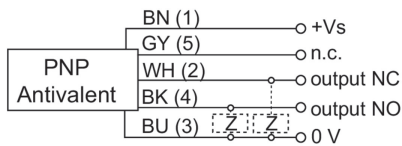
Remarks

- Increased sensing distance
- Complementary output

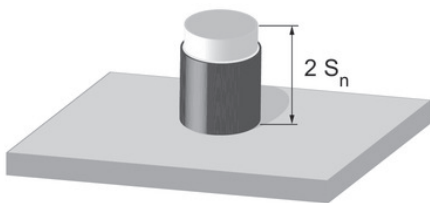
Dimension drawing



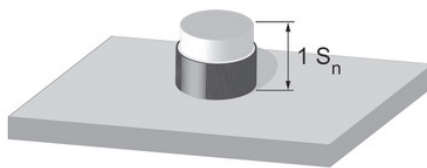
Connection diagram



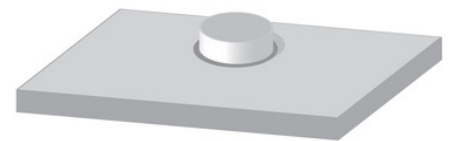
Correction factors for different mounting situation (approx.)



Mounting material	Correction factor
Mild steel	100 %
Stainless steel	95 %
Aluminum	95 %



Mounting material	Correction factor
Mild steel	100 %
Stainless steel	95 %
Aluminum	95 %



Mounting material	Correction factor
Mild steel	not possible
Stainless steel	115 %
Aluminum	90 %

Mounting instructions

