

Totalizers electronic

Small impulse counters

Display LCD, 8-digits

ISI30



ISI30 - Totalizer

Features

- Impulse counter
- Adding or subtracting

Technical data - electrical ratings

Voltage supply	Lithium battery (approx. 8 years at 20 °C)
Display	LCD, 7-segment display
Display illumination	24 VDC \pm 20 %, 50 mA
Number of digits	8-digits
Display range	-9999999...+99999999
Digit height	8 mm
Function	Fast and slow counting
Count mode	Adding or subtracting
Control	NPN, PNP, Floating contact, Pulses 10...260 VAC/VDC
Reset	Button and electric
Keylock	Yes, electric (keylock)
Emitted interference	DIN EN 61000-6-4
Interference immunity	DIN EN 61000-6-2
Programmable parameters	Count mode
Approval	UL/cULus

Technical data - mechanical design

Ambient temperature	-10...+60 °C
Storage temperature	-20...+70 °C
Relative humidity	80 % non-condensing
Core cross-section	2.5 mm ² fine wire AWG 12
Protection DIN EN 60529	IP 65 (face with seal)
Housing type	Built-in housing
Housing colour	Deep grey, RAL 7021
Dimensions W x H x L	48 x 24 x 48 mm
Mounting depth	47.7 mm
Mounting type	Clip frame or screw mount
Cutout dimensions	45 x 22.2 mm (+0.3)
Weight approx.	50 g

Totalizers electronic

Small impulse counters

Display LCD, 8-digits

ISI30

Type table

Without backlit With backlit	ISI30.010AA01 ISI30.010AB01	ISI30.012AA01 ISI30.012AB01	ISI30.013AA01 ISI30.013AB01
Version	NPN	PNP	AC/DC
Brief description	Fast and slow counting processes	Fast and slow counting processes	Slow counting processes
Signal input INP A	Fast counting NPN, 7 kHz	Fast counting PNP, 12 kHz	Slow counting AC/DC, 30 Hz
Signal input INP B	Slow counting NPN or floating contact, 30 Hz	Slow counting PNP or floating contact, 30 Hz	External reset AC/DC, –
Operating mode	Adding or subtracting	Adding or subtracting	Adding

Totalizers electronic

Small impulse counters

Display LCD, 8-digits

ISI30

Part number

ISI30.01 **A** **01**

Display

A Without backlit

B With backlit

Design

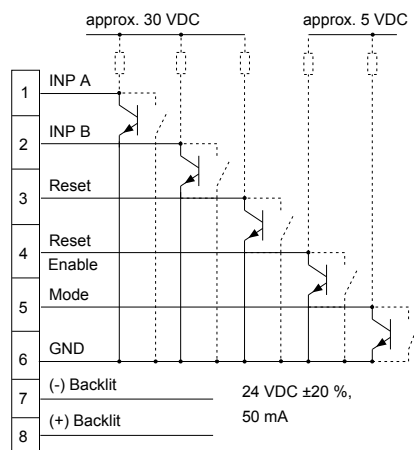
0 NPN 7 kHz, contact 30 Hz

2 PNP 12 kHz, contact 30 Hz

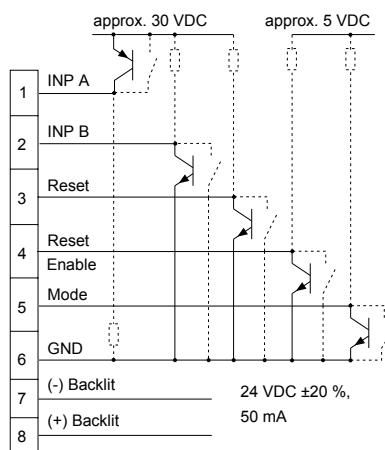
3 AC/DC 30 Hz

Connection diagram

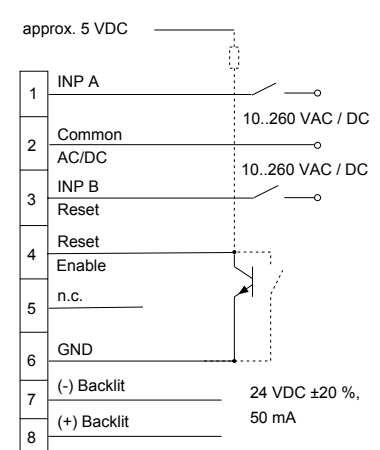
ISI30, DC, NPN



ISI30, DC, PNP



ISI30, AC/DC



Totalizers electronic

Small impulse counters

Display LCD, 8-digits

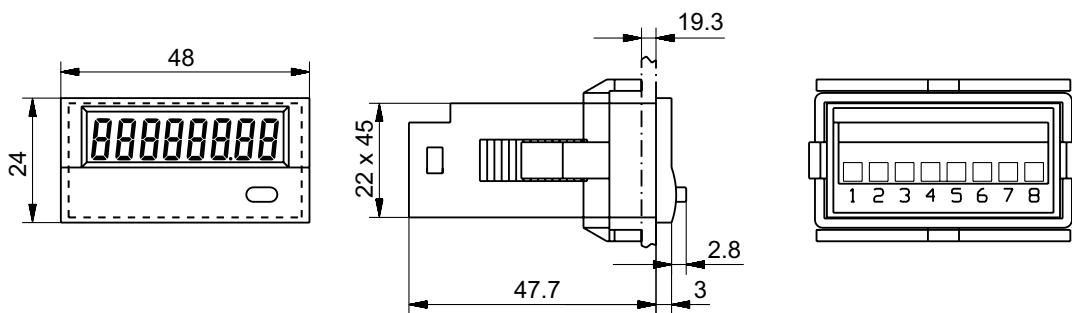
ISI30

Trigger level

Inputs	Input circuit	Inputs	Input circuit
NPN inputs	Comparator (pin 1+2)	AC/DC inputs	Optocoupler (pin 1+3)
Input level Low	0...0.7 VDC	Input level Low	0...2 VDC/VAC
Input level High	3...30 VDC	Input level High	10...260 VDC/VAC
Input resistance	1 MΩ	Input resistance	160 kΩ
PNP inputs	Comparator (pin 1+2)	NPN control inputs	Pin 4, 5
Input level Low	0...0.7 VDC	Input level Low	0...0.7 VDC
Input level High	4...30 VDC	Input level High	3...5 VDC
Input resistance	100 kΩ	Input resistance	2.2 MΩ

Dimensions

ISI30



Front frame for screw/clip mount (included with delivery)

