

Totalizers electronic

Position display

Display LCD, 8-digits

ISI33



ISI33 - Totalizer

Features

- Position display

Technical data - electrical ratings

| | |
|-------------------------|--|
| Voltage supply | Lithium battery (approx. 8 years at 20 °C) |
| Display | LCD, 7-segment display |
| Display illumination | 24 VDC \pm 20 %, 50 mA |
| Number of digits | 8-digits |
| Display range | -9999999...+99999999 |
| Digit height | 8 mm |
| Function | Position display |
| Count modes | A 90° B phase evaluation x1 A 90° B phase evaluation x2 |
| Control | NPN, PNP |
| Reset | Button and electric |
| Keylock | Yes, electric (keylock) |
| Emitted interference | DIN EN 61000-6-4 |
| Interference immunity | DIN EN 61000-6-2 |
| Programmable parameters | Count mode |
| Approval | UL/cULus |

Technical data - mechanical design

| | |
|-------------------------|--------------------------------------|
| Ambient temperature | -10...+60 °C |
| Storage temperature | -20...+70 °C |
| Relative humidity | 80 % non-condensing |
| Core cross-section | 2.5 mm ² fine wire AWG 12 |
| Protection DIN EN 60529 | IP 65 (face with seal) |
| Housing type | Built-in housing |
| Housing colour | Deep grey, RAL 7021 |
| Dimensions W x H x L | 48 x 24 x 48 mm |
| Mounting depth | 47.7 mm |
| Mounting type | Clip frame or screw mount |
| Cutout dimensions | 45 x 22.2 mm (+0.3) |
| Weight approx. | 50 g |

Type table

| Without backlit | ISI33.010AA01 | ISI33.011AA01 |
|------------------------|---|---|
| With backlit | ISI33.010AB01 | ISI33.011AB01 |
| Version | NPN | PNP |
| Brief description | For position display or length measurement in conjunction with an incremental encoder | For position display or length measurement in conjunction with an incremental encoder |
| Signal input INP A | Counting input 0° NPN, 3 kHz | Counting input 0° PNP, 6 kHz |
| Signal input INP B | Counting input 90° out of phase NPN, 3 kHz | Counting input 90° out of phase PNP, 6 kHz |
| Operating mode | INP A 90° INP B x1 or INP A 90° INP B x2 | INP A 90° INP B x1 or INP A 90° INP B x2 |

Totalizers electronic

Position display

Display LCD, 8-digits

ISI33

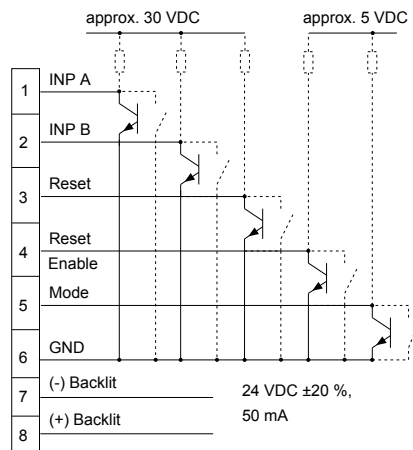
Part number

ISI33.01 **A** **01**

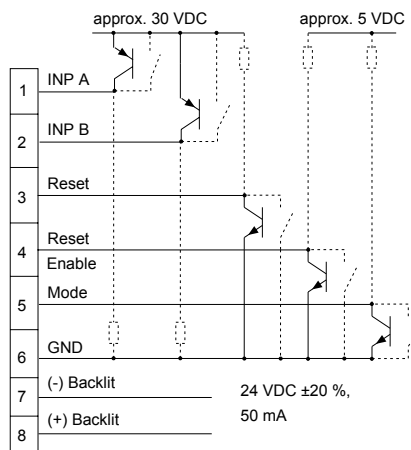
- Display
- A Without backlit
- B With backlit
- Design
- 0 NPN 3 kHz (A 90° B)
- 1 PNP 6 kHz (A 90° B)

Connection diagram

ISI30, ISI31, ISI33, DC, NPN



ISI31, ISI33, DC, PNP

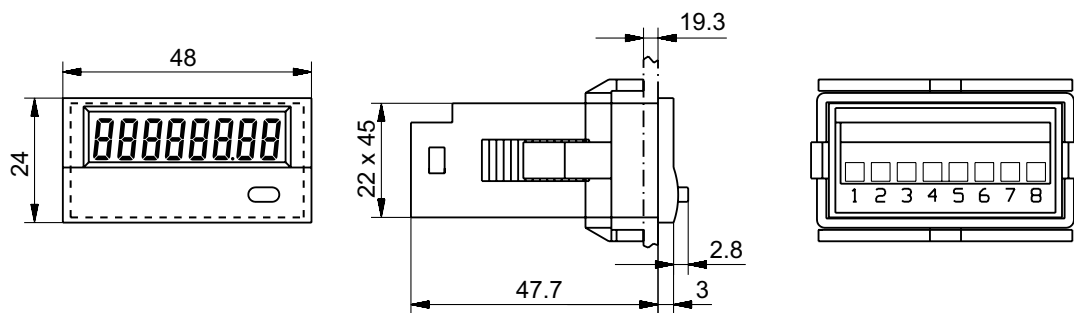


Trigger level

| Inputs | Input circuit | Inputs | Input circuit |
|-------------------|-----------------------------|---------------------------|------------------------------|
| NPN inputs | Comparator (pin 1+2) | AC/DC inputs | Optocoupler (pin 1+3) |
| Input level Low | 0...0.7 VDC | Input level Low | 0...2 VDC/VAC |
| Input level High | 3...30 VDC | Input level High | 10...260 VDC/VAC |
| Input resistance | 1 MΩ | Input resistance | 160 kΩ |
| PNP inputs | Comparator (pin 1+2) | NPN control inputs | Pin 4, 5 |
| Input level Low | 0...0.7 VDC | Input level Low | 0...0.7 VDC |
| Input level High | 4...30 VDC | Input level High | 3...5 VDC |
| Input resistance | 100 kΩ | Input resistance | 2.2 MΩ |

Dimensions

ISI33



Front frame for screw/clip mount (included with delivery)

