

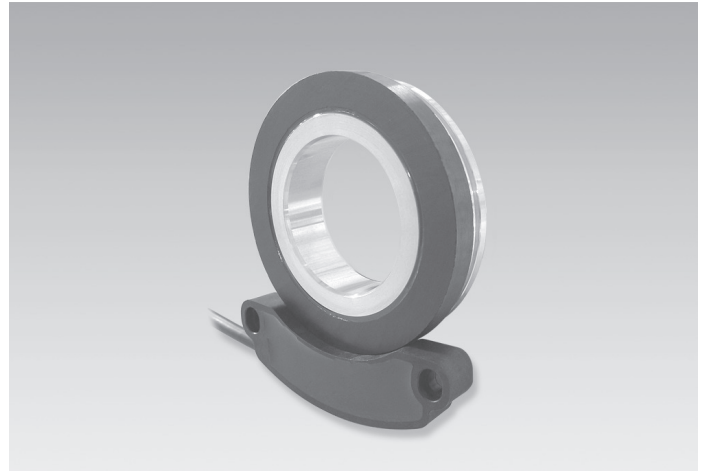
ITD 67 A 4 Y 9

Through hollow shaft $\varnothing 10$ to $\varnothing 45$ mm

20, 50 pulses per revolution

Overview

- Bearingless magnetic encoder
- Magnetic sensing method
- 20 and 50 pulses per revolution
- Output circuits: HTL
- Without own bearings
- Magnetic wheel mounting by 2 set screws
- Cable output radial



Technical data

Technical data - electrical ratings

Voltage supply	8...26 VDC
Reverse polarity protection	Yes
Consumption w/o load	≤ 20 mA
Pulses per revolution	20 ... 50
Output signals	A, B
Output stages	Push-pull
Output current	≤ 20 mA
Interference immunity	DIN EN 61000-6-2
Emitted interference	DIN EN 61000-6-3

Technical data - mechanical design

Shaft type	$\varnothing 10 \dots 45$ mm (through hollow shaft)
Motor shaft tolerance	$\pm 0,2$ mm axial $\pm 0,05$ mm radial

Technical data - mechanical design

Protection DIN EN 60529	IP 67 (relating to sealed electronics)
Operating speed	≤ 10000 rpm
Material	Housing: plastic Shaft: aluminium
Operating temperature	$-20 \dots +85$ °C
Resistance	DIN EN 60068-2-6 Vibration 10 g, 55-2000 Hz DIN EN 60068-2-27 Shock 100 g, 11 ms
Weight approx.	230 g
Connection	Cable 1 m
Admitted cable length	15 m

Optional

- Redundant sensing

ITD 67 A 4 Y 9

Through hollow shaft $\varnothing 10$ to $\varnothing 45$ mm

20, 50 pulses per revolution

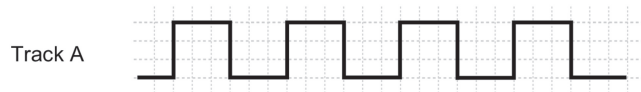
Terminal assignment

Core colour	Assignment
green	Track A
grey	Track B
brown	UB
white	GND
transparent	Shield/Housing

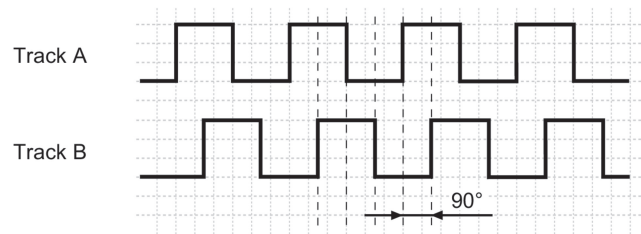
Output signals

Clockwise rotation when looking at the mounting side.

AX-Output signals



BX-Output signals



Trigger level

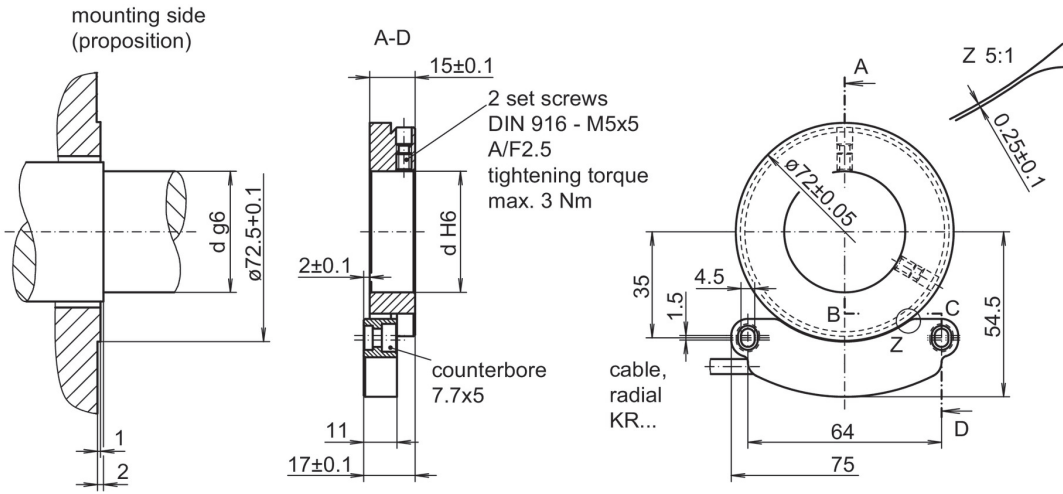
Outputs	Push-pull short-circuit proof
Output level High	$\geq U_B - 3$ V
Output level Low	≤ 1.5 V
Load	≤ 20 mA

ITD 67 A 4 Y 9

Through hollow shaft $\varnothing 10$ to $\varnothing 45$ mm

20, 50 pulses per revolution

Dimensions



ITD 67 A 4 Y 9

 Through hollow shaft $\varnothing 10$ to $\varnothing 45$ mm

20, 50 pulses per revolution

Ordering reference

	ITD 67 A 4 Y 9	#####	H	####	KR1	S	##	IP67
Product	ITD 67 A 4 Y 9							
Pulse number								
20		20						
50		50						
Voltage supply / signals								
8...26 VDC / HTL level, push-pull			H					
Output signals								
A				AX				
A, B				BX				
Connection								
Cable 1 m, radial					KR1			
Operating temperature								
-20...+85 °C						S		
Through hollow shaft								
$\varnothing 10$ mm								10
$\varnothing 14$ mm								14
$\varnothing 15$ mm								15
$\varnothing 16$ mm								16
$\varnothing 20$ mm								20
$\varnothing 22$ mm								22
$\varnothing 25$ mm								25
$\varnothing 27$ mm								27
$\varnothing 30$ mm								30
$\varnothing 35$ mm								35
$\varnothing 40$ mm								40
$\varnothing 45$ mm								45
Protection								
IP 67								IP67