

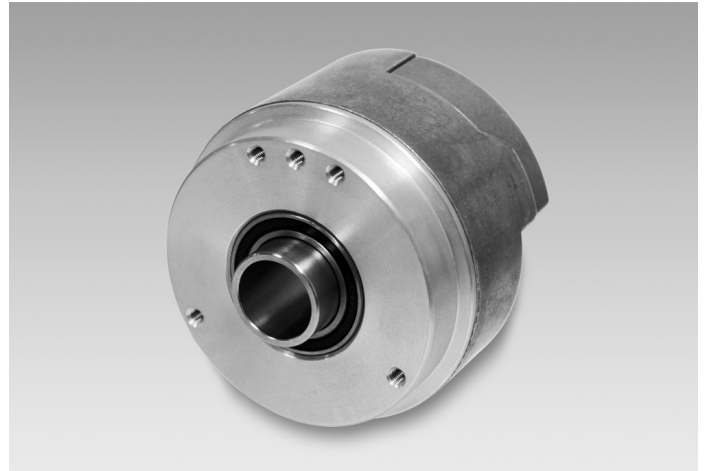
ITD21H01 HT

Through hollow shaft $\varnothing 14$ mm

100...8192 pulses per revolution

Overview

- Size $\varnothing 58$ mm
- Precise optical sensing
- Output signal level TTL
- Through hollow shaft, $\varnothing 14$ mm
- For cone clamping installation
- Max. 8192 pulses per revolution
- Operating temperature $-30...+120$ °C
- Detachable cable – tangential outlet



Technical data

Technical data - electrical ratings

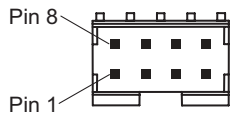
Voltage supply	5 VDC ± 5 %
Reverse polarity protection	Yes
Consumption w/o load	≤ 100 mA
Pulses per revolution	100 ... 8192
Reference signal	Zero pulse, width 90°
Sensing method	Optical
Output frequency	≤ 300 kHz (TTL)
Output signals	A, B, N + inverted
Output stages	TTL linedriver (short-circuit proof)
Interference immunity	EN 61000-6-2
Emitted interference	EN 61000-6-3

Technical data - mechanical design

Size (flange)	$\varnothing 58$ mm
Shaft type	$\varnothing 14$ mm (through hollow shaft)
Protection EN 60529	IP 54
Operating speed	≤ 6000 rpm
Starting torque	≤ 0.015 Nm ($+20$ °C)
Material	Housing: aluminium Shaft: stainless steel
Operating temperature	$-30...+120$ °C
Relative humidity	90 % non-condensing
Resistance	EN 60068-2-6 Vibration 20 g, 60-2000 Hz EN 60068-2-27 Shock 100 g, 6 ms
Connection	Board connector, 8-pin
Weight approx.	150 g

Terminal assignment

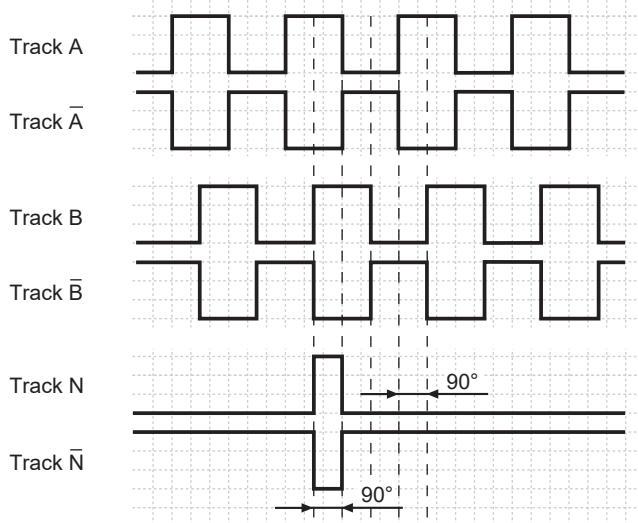
Connector	Assignment
Pin 1	UB
Pin 2	GND
Pin 3	Track A
Pin 4	Track A inv.
Pin 5	Track B
Pin 6	Track B inv.
Pin 7	Track N
Pin 8	Track N inv.



Output signals

Clockwise rotation when looking at the mounting side.

NI-Output signals



Trigger level

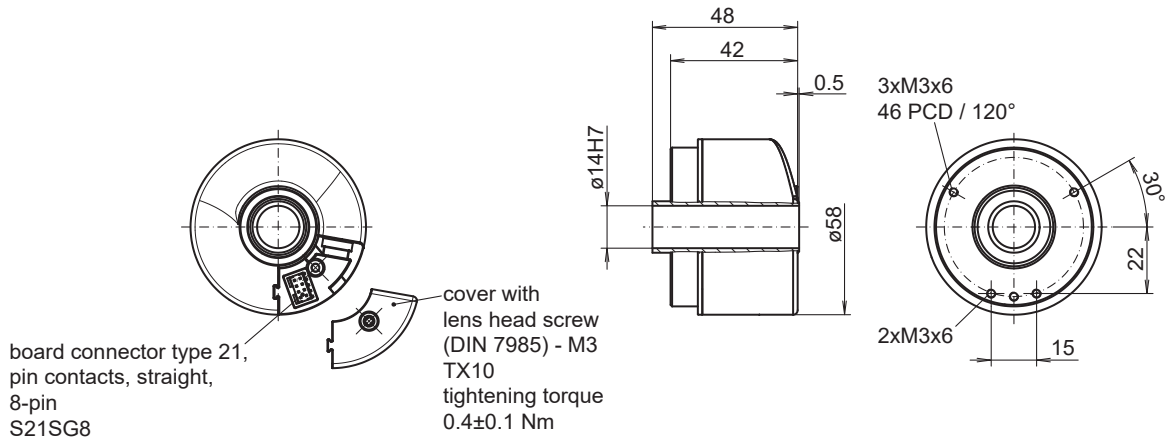
Outputs	Linedriver
Output level High	≥ 2.4 V
Output level Low	≤ 0.5 V
Load	≤ 70 mA

ITD21H01 HT

Through hollow shaft $\varnothing 14$ mm

100...8192 pulses per revolution

Dimensions



038- 9 H01

ITD21H01 HT

Through hollow shaft ø14 mm

100...8192 pulses per revolution

Ordering reference

Product	ITD21H01	####	T	NI	S21SG8	F	14	54	###
Pulse number	ITD21H01								
100		100							
120		120							
150		150							
200		200							
250		250							
256		256							
300		300							
360		360							
400		400							
500		500							
512		512							
600		600							
720		720							
800		800							
900		900							
1000		1000							
1024		1024							
1200		1200							
1250		1250							
1440		1440							
1500		1500							
1800		1800							
2000		2000							
2048		2048							
2500		2500							
3000		3000							
3600		3600							
4000		4000							
4096		4096							
5000		5000							
6000		6000							
8192 ⁽¹⁾		8192							
Voltage supply	UB= 5 VDC ±5% / TTL level, linedriver		T						
Output signal	A, A inv, B, B inv, N, N inv			NI					
Connection	Board connector type 21, pin contacts, straight, 8-pin				S21SG8				
Operating temperature	-30...+120 °C					F			
Through hollow shaft	Ø14 mm, for cone clamping installation (equipment)						14		
Protection class	IP54							54	

ITD21H01 HT

 Through hollow shaft \varnothing 14 mm

100...8192 pulses per revolution

Ordering reference

ITD21H01 ##### T NI S21SG8 F 14 54 ###

Mounting kit

3-arm, pitch circle diameter 76 mm, mounting 3 × M3 (120°)	019
1-arm, pitch circle diameter 65.5...281 mm, mounting M4, cut to length	021

(1) Pulse numbers are interpolated.

Accessories

Mounting accessories

11073114	Torque arm, 3-armed (mounting kit 019)
11073115	Cone spreader shaft \varnothing 10 mm
11073116	Cone spreader shaft \varnothing 10 mm V1
11073117	Cone spreader shaft \varnothing 14 mm