

Overview

- 0 ... 4 mm
- voltage - / current output
- connector M8
- -10 ... 70 °C
- IP 67



Picture similar



Technical data

General data

Mounting type	Flush
Measuring distance Sd	0 ... 4 mm
Resolution	< 0,001 mm
Repeat accuracy	< 0,005 mm
Linearity error	± 160 µm
Temperature drift	± 4 % (Full Scale)

Electrical data

Response time (factory characteristic)	< 30 ms
Voltage supply range +Vs	15 ... 30 VDC
Current consumption max. (no load)	40 mA
Output circuit	Voltage - / current output
Output signal	0 ... 10 V / 4 ... 20 mA

Electrical data

Load resistance	> 1000 Ohm (Uout) / 330 ... 1000 Ohm (Iout)
Voltage drop Vd	< 7,2 VDC (Iout)
Short circuit protection	Yes
Reverse polarity protection	Yes

Mechanical data

Type	Rectangular
Housing material	Brass nickel plated
Dimension	18 mm
Housing length	30 mm
Connection types	Connector M8

Ambient conditions

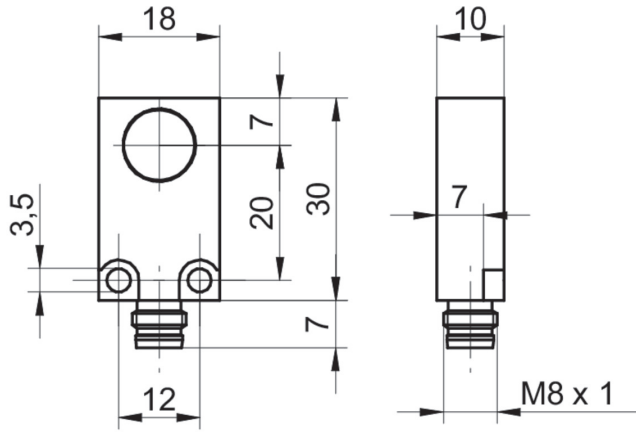
Operating temperature	-10 ... +70 °C
Protection class	IP 67

IWFM 18L9505/S35A

Inductive distance sensors - linearized

Article number: 10147285

Dimension drawing



Connection diagram

