

Overview

- 2 ... 5 mm
- voltage output
- connector M8
- 60 °C
- IP 67



Picture similar



Technical data

General data		Electrical data	
Mounting type	Flush	Residual output ripple	< 0.5 % Vs
Measuring distance Sd	2 ... 5 mm	Short circuit protection	Yes
Reference distance	3.25 ... 3.75 mm	Reverse polarity protection	Yes
Measuring speed	< 1 mm / ms	Mechanical data	
Repeat accuracy	0.01 mm	Design	Rectangular
Linearity error	± 100 µm	Material (sensing face)	PBT
Temperature coefficient	1 µm / (K mm)	Housing material	Brass nickel plated
Electrical data		Dimension	20 mm
Voltage supply range +Vs	15 ... 30 VDC	Housing length	35 mm
Current consumption max. (no load)	20 mA	Connection types	Connector M8
Output circuit	Voltage output	Ambient conditions	
Output signal	1 ... 9 VDC	Operating temperature	0 ... +60 °C
Load resistance	> 1000 Ohm	Protection class	IP 67

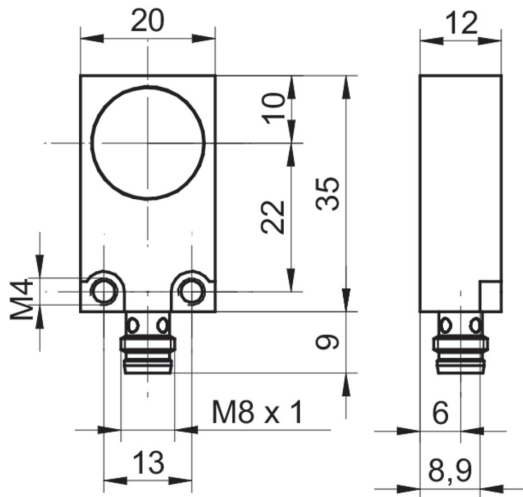
2023-08-30 The product features and technical data specified do not express or imply any warranty. Technical modifications subject to change.

IWFM 20U9501/S35

Inductive distance sensors

Article number: 10242449

Dimension drawing



Connection diagram

