

**Overview**

- 2 ... 3 mm
- voltage output
- connector M8
- 60 °C
- IP 67



Picture similar



**Technical data**

**General data**

Mounting type	Flush
Measuring distance Sd	2 ... 3 mm
Reference distance	2.35 ... 2.65 mm
Measuring speed	< 1 mm / ms
Repeat accuracy	0.01 mm
Linearity error	± 60 µm
Temperature coefficient	1 µm / (K mm)

**Electrical data**

Voltage supply range +Vs	15 ... 30 VDC
Current consumption max. (no load)	20 mA
Output circuit	Voltage output
Output signal	1 ... 9 VDC
Load resistance	> 1000 Ohm

**Electrical data**

Residual output ripple	< 0.5 % Vs
Short circuit protection	Yes
Reverse polarity protection	Yes

**Mechanical data**

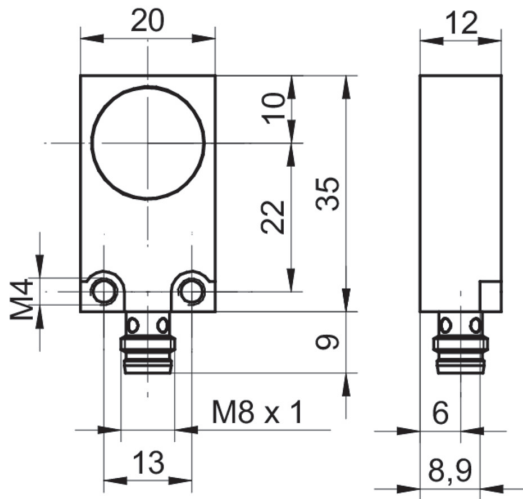
Design	Rectangular
Material (sensing face)	PBT
Housing material	Brass nickel plated
Dimension	20 mm
Housing length	35 mm
Connection types	Connector M8

**Ambient conditions**

Operating temperature	0 ... +60 °C
Protection class	IP 67

# IWFM 20U9503/S35

## Dimension drawing



## Connection diagram

