

Overview

- 0 ... 2 mm
- current output
- connector M8
- 10 ... 60 °C
- IP 67



Picture similar



Technical data

General data

Mounting type	Quasi-flush
Measuring distance Sd	0 ... 2 mm
Resolution	< 0.001 mm (stat.) < 0.005 mm (dynam.)
Repeat accuracy	0.02 mm
Linearity error	± 100 µm
Temperature drift	± 5 % (Full Scale)

Electrical data

Response time (factory characteristic)	< 0.5 ms
Voltage supply range +Vs	15 ... 30 VDC
Current consumption max. (no load)	35 mA
Output circuit	Current output
Output signal	0 ... 10 mA

Electrical data

Load resistance +Vs min.	< 910 Ohm
Load resistance +Vs max.	< 2400 Ohm
Short circuit protection	Yes
Reverse polarity protection	Yes

Mechanical data

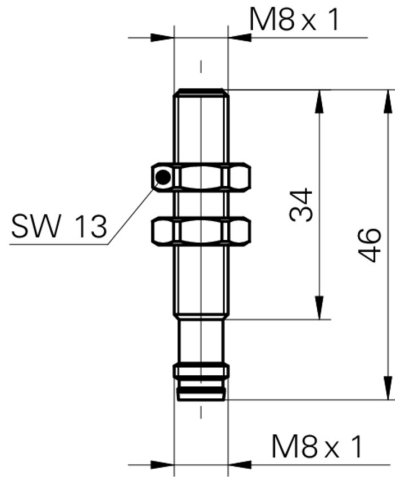
Design	Cylindrical threaded
Material (sensing face)	PBT
Housing material	Stainless steel
Dimension	8 mm
Housing length	46 mm
Connection types	Connector M8
Tightening torque max.	10 Nm (Front: 7 Nm)

Ambient conditions

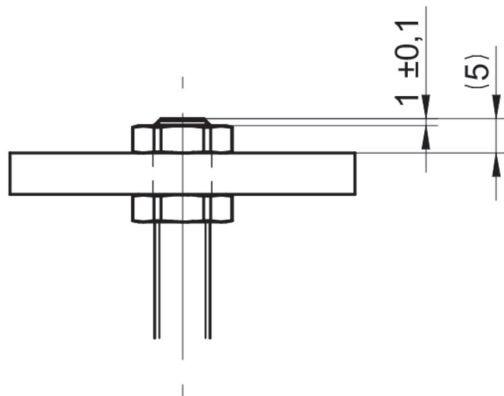
Operating temperature	10 ... +60 °C
Protection class	IP 67

IWRM 08I9501/S35

Dimension drawing



Installation drawing



Connection diagram

