

Overview

- 0 ... 2 mm
- voltage output
- cable, 2 m
- 10 ... 60 °C
- IP 67



Picture similar

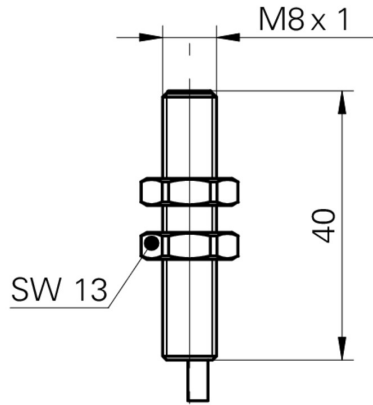


Technical data

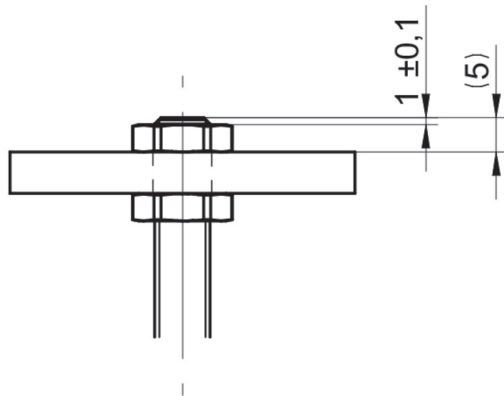
General data		Electrical data	
Mounting type	Quasi-flush	Output signal	0 ... 10 VDC
Measuring distance Sd	0 ... 2 mm	Load resistance	> 1000 Ohm
Resolution	< 0,001 mm (stat.) < 0,005 mm (dynam.)	Short circuit protection	Yes
Repeat accuracy	< 0,02 mm	Reverse polarity protection	Yes
Linearity error	± 100 µm	Mechanical data	
Temperature drift	± 5 % (Full Scale)	Type	Cylindrical threaded
Electrical data		Housing material	Stainless steel
Response time (factory characteristic)	< 0,5 ms	Dimension	8 mm
Voltage supply range +Vs	15 ... 30 VDC	Housing length	40 mm
Current consumption max. (no load)	25 mA	Connection types	Cable, 2 m
Output circuit	Voltage output	Tightening torque max.	10 Nm (Front: 7 Nm)
		Ambient conditions	
		Operating temperature	10 ... +60 °C
		Protection class	IP 67

2021-04-28 The product features and technical data specified do not express or imply any warranty. Technical modifications subject to change.

Dimension drawing



Installation drawing



Connection diagram

