

Overview

- 1 ... 2 mm
- voltage output
- cable, 2 m
- 60 °C
- IP 67



Picture similar

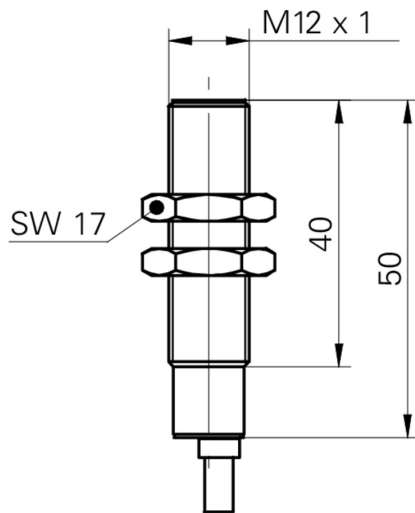


Technical data

General data		Electrical data	
Mounting type	Flush	Residual output ripple	< 0.5 % Vs
Measuring distance Sd	1 ... 2 mm	Short circuit protection	Yes
Reference distance	1.35 ... 1.65 mm	Reverse polarity protection	Yes
Measuring speed	< 0.5 mm / ms	Mechanical data	
Repeat accuracy	0.02 mm	Design	Cylindrical threaded
Linearity error	± 80 µm	Material (sensing face)	PBT
Temperature coefficient	1 µm / (K mm)	Housing material	Brass nickel plated
Electrical data		Dimension	12 mm
Voltage supply range +Vs	14 ... 30 VDC	Housing length	50 mm
Current consumption max. (no load)	20 mA	Connection types	Cable, L=2 m
Output circuit	Voltage output	Tightening torque max.	15 Nm (Front: 10 Nm)
Output signal	1 ... 9 VDC	Ambient conditions	
Load resistance	> 1000 Ohm	Operating temperature	0 ... +60 °C
		Protection class	IP 67

IWRM 12U9501

Dimension drawing



Connection diagram

