

IWRM 18I97T4/S14

Inductive distance sensors - outdoor and washdown

Article number: 11014720

Overview

- 0 ... 8 mm
- current output
- connector M12
- -40 ... 70 °C
- IP 67



Picture similar



Technical data

General data

Mounting type	Quasi-flush
Special type	Outdoor design
Measuring distance Sd	0 ... 8 mm
Resolution	< 0.005 mm (stat.) < 0.01 mm (dynam.)
Repeat accuracy	0.015 mm
Linearity error	± 400 µm
Temperature drift	± 10 % (Full Scale)

Electrical data

Response time (factory characteristic)	< 2 ms
Voltage supply range +Vs	15 ... 30 VDC
Current consumption max. (no load)	40 mA
Output circuit	Current output
Output signal	4 ... 20 mA

Electrical data

Load resistance +Vs min.	< 330 Ohm
Load resistance +Vs max.	< 1000 Ohm
Short circuit protection	Yes
Reverse polarity protection	Yes

Mechanical data

Type	Cylindrical threaded
Material (sensing face)	PBT
Housing material	Brass nickel plated
Dimension	18 mm
Housing length	60 mm
Connection types	Connector M12
Tightening torque max.	40 Nm (Front: 28 Nm)

Ambient conditions

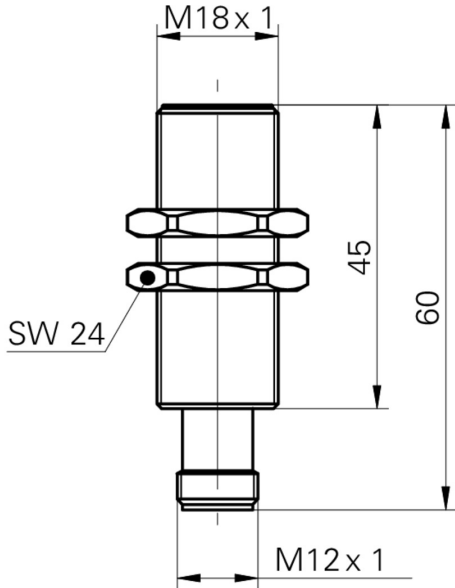
Operating temperature	-40 ... +70 °C
Protection class	IP 67

IWRM 18I97T4/S14

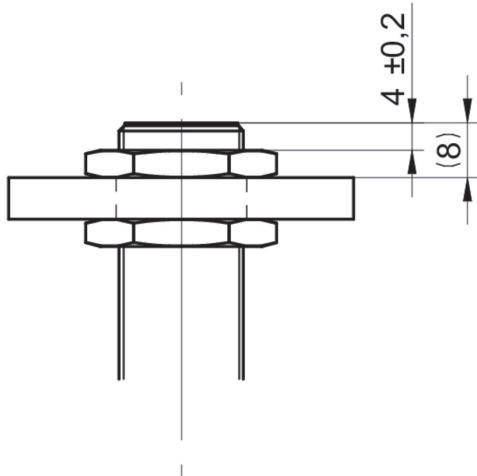
Inductive distance sensors - outdoor and washdown

Article number: 11014720

Dimension drawing



Installation drawing



Connection diagram

