

Overview

- 2 ... 4 mm
- voltage output
- cable, 2 m
- 60 °C
- IP 67



Picture similar

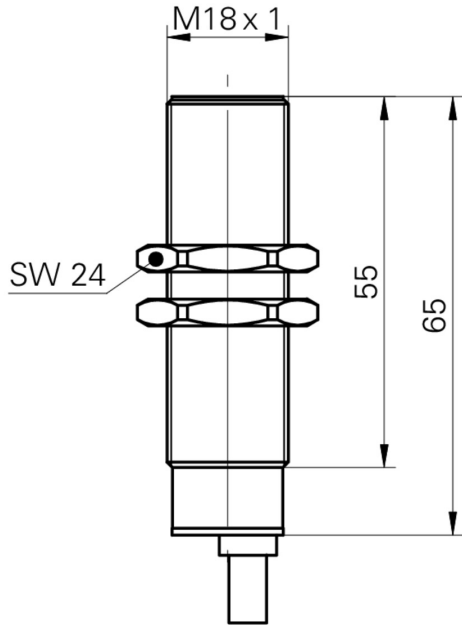


Technical data

General data		Electrical data	
Mounting type	Flush	Residual output ripple	< 0,5 % Vs
Measuring distance Sd	2 ... 4 mm	Short circuit protection	Yes
Reference distance	2,8 ... 3,2 mm	Reverse polarity protection	Yes
Measuring speed	< 1 mm / ms	Mechanical data	
Repeat accuracy	< 0,02 mm	Type	Cylindrical threaded
Linearity error	± 80 µm	Housing material	Brass nickel plated
Temperature coefficient	1 µm / (K mm)	Dimension	18 mm
Electrical data		Housing length	65 mm
Voltage supply range +Vs	15 ... 30 VDC	Connection types	Cable, 2 m
Current consumption max. (no load)	20 mA	Tightening torque max.	40 Nm (Front: 28 Nm)
Output circuit	Voltage output	Ambient conditions	
Output signal	1 ... 9 VDC	Operating temperature	0 ... +60 °C
Load resistance	> 1000 Ohm	Protection class	IP 67

2021-04-28 The product features and technical data specified do not express or imply any warranty. Technical modifications subject to change.

Dimension drawing



Connection diagram

