

## IWRM 18U9704/S14

Inductive distance sensors

Article number: 10151329

### Overview

- 0 ... 8 mm
- voltage output
- connector M12
- -10 ... 70 °C
- IP 67



Picture similar



### Technical data

#### General data

Mounting type	Quasi-flush
Measuring distance Sd	0 ... 8 mm
Resolution	< 0.005 mm (stat.) < 0.01 mm (dynam.)
Repeat accuracy	0.015 mm
Linearity error	± 400 µm
Temperature drift	± 5 % (Full Scale)

#### Electrical data

Response time (factory characteristic)	< 2 ms
Voltage supply range +Vs	15 ... 30 VDC
Current consumption max. (no load)	20 mA
Output circuit	Voltage output
Output signal	0 ... 10 VDC

#### Electrical data

Load resistance	> 1000 Ohm
Short circuit protection	Yes
Reverse polarity protection	Yes

#### Mechanical data

Design	Cylindrical threaded
Material (sensing face)	PBT
Housing material	Brass nickel plated
Dimension	18 mm
Housing length	60 mm
Connection types	Connector M12
Tightening torque max.	40 Nm (Front: 28 Nm)

#### Ambient conditions

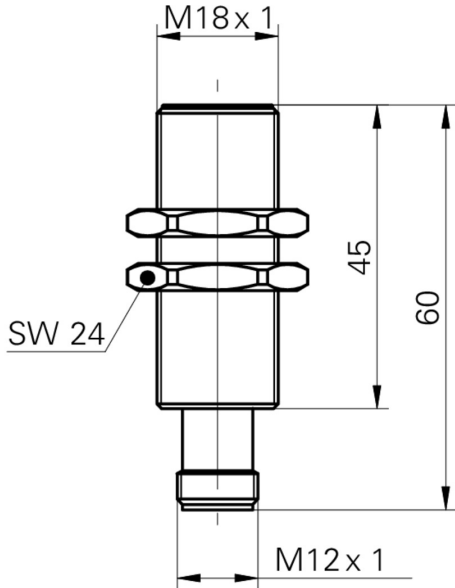
Operating temperature	-10 ... +70 °C
Protection class	IP 67

### Remarks

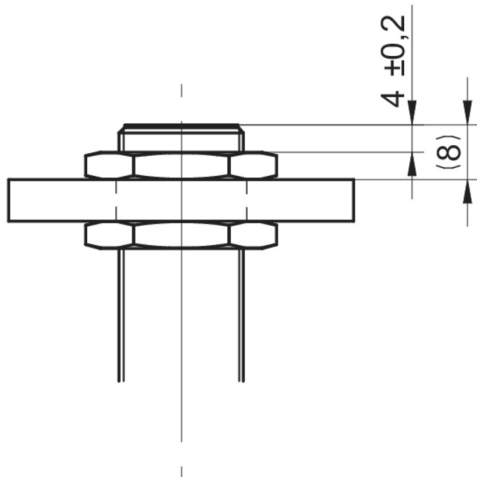
- Linearity deviation (S = 0,5...8 mm) ± 10% (Full Scale)
- Deviation (S = 8 mm): ± 0,2 V

# IWRM 18U9704/S14

## Dimension drawing



## Installation drawing



## Connection diagram

