

IWRM 18Z8704/S14C

Inductive distance sensors - linearized

Article number: 10156471

Overview

- 0 ... 8 mm
- voltage output / PNP
- external Teach-in
- connector M12
- -10 ... 70 °C
- IP 67



Picture similar



Technical data

General data		Electrical data	
Mounting type	Quasi-flush	Output circuit	Voltage output / PNP
Special type	2 adjust. switching points Linearized	Output signal	0 ... 10 VDC
Measuring distance Sd	0 ... 8 mm	Load resistance	> 1000 Ohm
Resolution	< 0.01 mm (stat.) < 0.01 mm (dynam.)	Output current	10 mA (PNP)
Repeat accuracy	0.015 mm	Voltage drop Vd	<5 VDC (PNP)
Adjustment	External Teach-in	Short circuit protection	Yes
Linearity error	± 32 µm	Reverse polarity protection	Yes
Temperature drift	± 5 % (Full Scale)	Mechanical data	
Output indicator	LED red	Design	Cylindrical threaded
Teach-Feedback	LED yellow	Material (sensing face)	PBT
Electrical data		Housing material	Brass nickel plated
Response time (factory characteristic)	< 2 ms	Dimension	18 mm
Response time (teach in characteristic)	< 3.1 ms	Housing length	60 mm
Voltage supply range +Vs	15 ... 30 VDC	Connection types	Connector M12
Current consumption max. (no load)	20 mA	Tightening torque max.	40 Nm (Front: 28 Nm)
		Ambient conditions	
		Operating temperature	-10 ... +70 °C
		Protection class	IP 67

Remarks

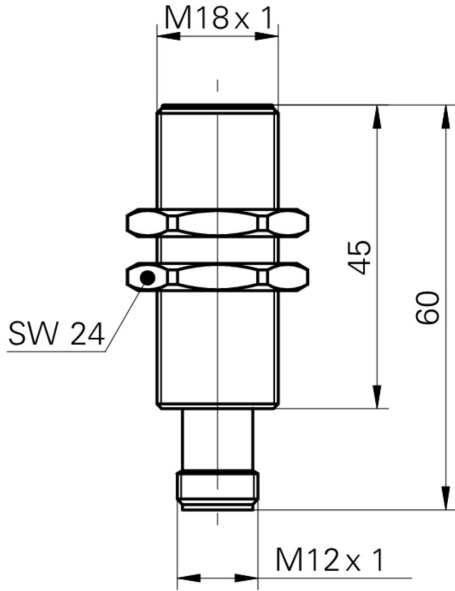
- External Teach-in
- Integrated analog- and switching output
- Linear analog output

IWRM 18Z8704/S14C

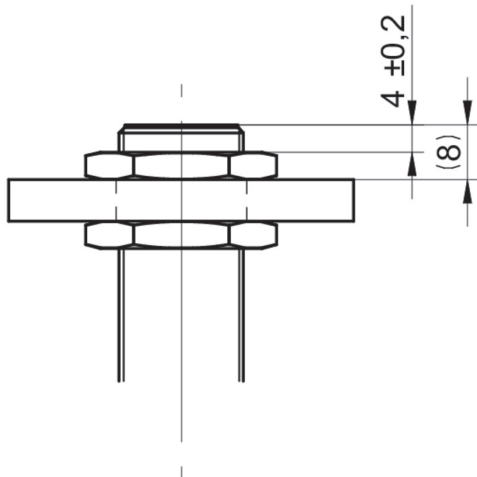
Inductive distance sensors - linearized

Article number: 10156471

Dimension drawing



Installation drawing



Connection diagram

