

Overview

- 0 ... 16 mm
- current output
- connector M12
- -10 ... 70 °C
- IP 67



Picture similar



Technical data

General data

Mounting type	Quasi-flush
Measuring distance Sd	0 ... 16 mm
Resolution	< 0.005 mm (stat.) < 0.01 mm (dynam.)
Repeat accuracy	0.015 mm
Linearity error	± 1600 µm
Temperature drift	± 5 % (Full Scale)

Electrical data

Response time (factory characteristic)	< 2 ms
Voltage supply range +Vs	15 ... 30 VDC
Current consumption max. (no load)	20 mA
Output circuit	Current output
Output signal	4 ... 20 mA

Electrical data

Load resistance +Vs min.	< 330 Ohm
Load resistance +Vs max.	< 1000 Ohm
Short circuit protection	Yes
Reverse polarity protection	Yes

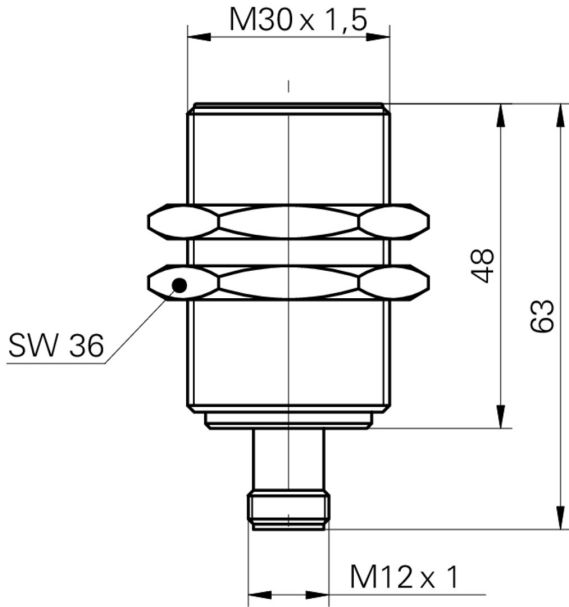
Mechanical data

Design	Cylindrical threaded
Material (sensing face)	PBT
Housing material	Brass nickel plated
Dimension	30 mm
Housing length	63 mm
Connection types	Connector M12
Tightening torque max.	200 Nm (Front: 140 Nm)

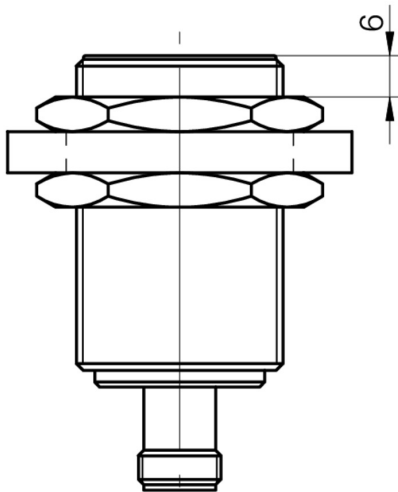
Ambient conditions

Operating temperature	-10 ... +70 °C
Protection class	IP 67

Dimension drawing



Installation drawing



Connection diagram

