

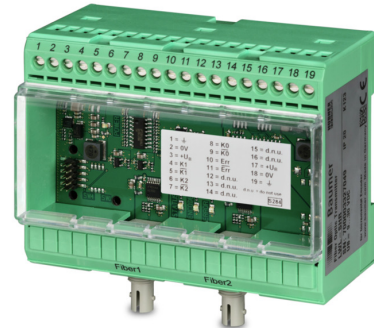
LWL-EHR TTL

Fiber-optic receiver for interference-free transmission of square-wave signals

Article number: 11090946

Overview

- Transmission length up to 1500 m
- Reconversion of optical signals into electrical signals and generation of status signals
- Transmission error detection via checksum (CRC)
- High-precision transmission of signals (Jitter <100 ns)
- Constant delay time <20 µs
- Automatic channel switchover in realtime upon failure of one fiber-optic channel



Technical data

Technical data - electrical ratings

Voltage supply	9...30 VDC
Consumption	≤300 mA
Inputs	2 x fiber-optic 2 x error acknowledgement (Ack)
Input signals	Fiber1, Fiber2, Ack1, Ack2
Input level	Ack >2.5 V
Outputs	TTL (RS422)
Output signals	K1, K2, K0 + inverted Err + inverted Status S1, status S2, sum status (SSum)
Output frequency	≤1 MHz
Output level	TTL: LOW: ≤0.7 V; HIGH: ≥3 V
Start time	<500 ms
Wave length	~820 nm

Technical data - electrical ratings

Transmission length	≤1500 m
Status output	S1, S2 (configurable)
LED operating status	1x power LED (green) 1x overload LED (red) 1x status LED (green) each channel 1x error LED (red) each channel 1x link LED (green) each channel

Technical data - mechanical design

Dimensions W x H x L	100 x 75 x 53 mm
Protection EN 60529	IP 20
Operating temperature	-20...+70 °C (without dew)
Connection	Screw terminal connector 2x ST connector
Housing type	Mounting on standard rails according to EN 50022

LWL-EHR TTL

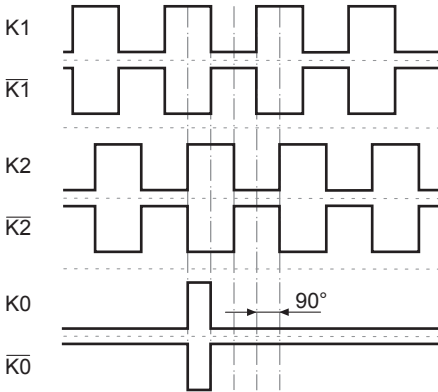
Fiber-optic receiver for interference-free transmission of square-wave signals

Article number: 11090946

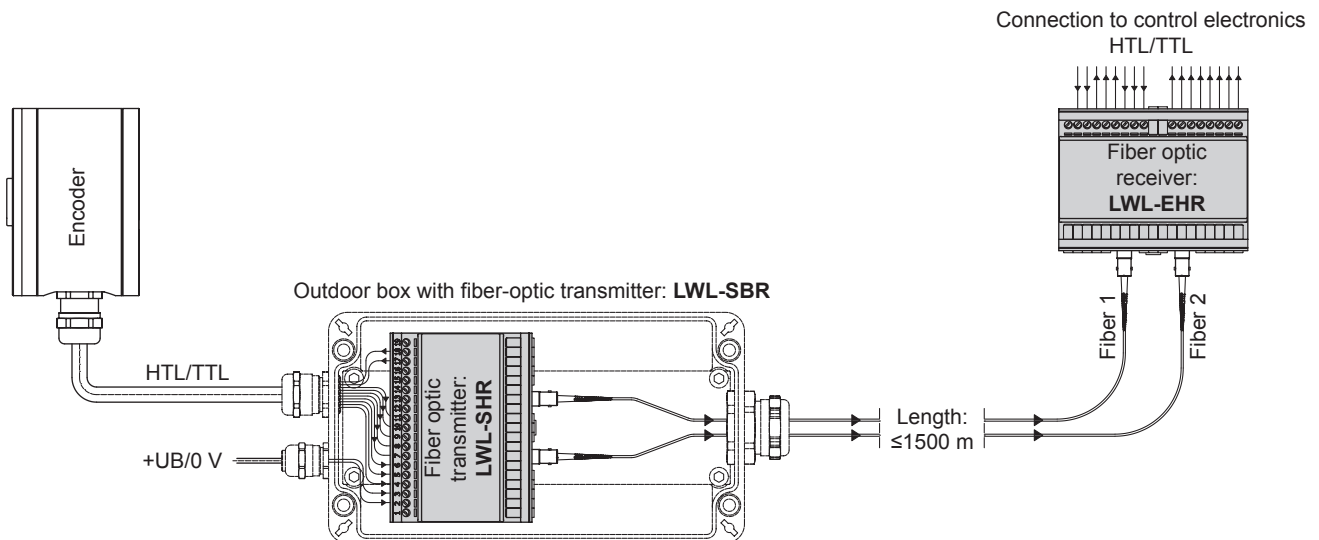
Output signals

HTL/TTL

At positive rotating direction (see dimension)



Connection diagram



LWL-EHR TTL

Fiber-optic receiver for interference-free transmission of square-wave signals

Article number: 11090946

Dimensions

