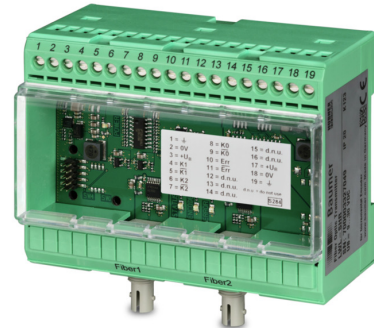


Overview

- Transmission length up to 1500 m
- Converting standard square-wave signals into optical signals
- Transmission error detection via checksum (CRC)
- High-precision transmission of signals (Jitter <100 ns)
- Constant delay time <20 µs
- Automatic channel switchover in realtime upon failure of one fiber-optic channel



Technical data

Technical data - electrical ratings

Voltage supply	9...30 VDC
Consumption	≤300 mA
Inputs	HTL, TTL
Input signals	K1, K2, K0 + inverted Err + inverted
Outputs	2 x fiber-optic
Start time	<500 ms
Wave length	~820 nm
Transmission length	≤1500 m

Technical data - mechanical design

Dimensions W x H x L	100 x 75 x 53 mm
Protection EN 60529	IP 20
Operating temperature	-20...+70 °C (without dew)
Weight approx.	300 g
Connection	Screw terminal connector 2x ST connector
Housing type	Mounting on standard rails according to EN 50022

LWL-SHR

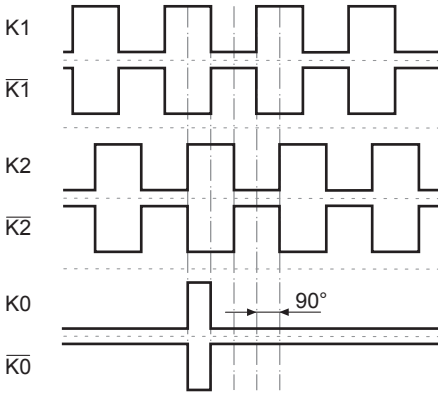
Fiber-optic transmitter for interference-free transmission of square-wave signals

Article number: 11090965

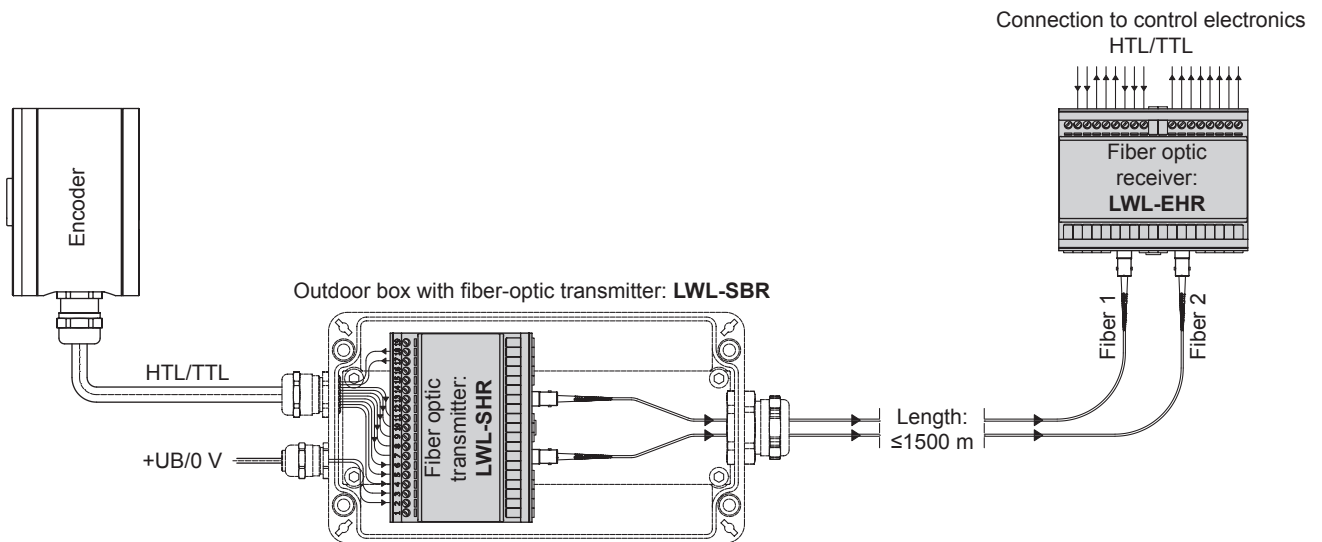
Output signals

HTL/TTL

At positive rotating direction (see dimension)



Connection diagram



Dimensions

