

Totalizers mechanic

Meter counter

Display 5 digits, manual reset (zero) by lever

M 410



M 410 - Meter counter

Features

- Meter counter
- Adding
- Display 5-digits
- Reset by lever

Technical data - mechanical design

Function	Meter counter
Display	White numbers on black Decimal digits in red
Number of digits	5-digits
Digit height	7 mm
Zero setting	Manual by reset lever. Do not let snap or make jerky movements.
Count mode	Adding in a rotational direction to be indicated, subtracting in reverse direction. See part number key
Drive shaft	Both sides, $\varnothing 7$ mm
Measuring speed	<200 m/min (measuring wheel)
Measuring accuracy	1 dm, 1 cm
Measuring range	9999.9 m
Ambient temperature	0...+60 °C
Housing type	Surface mount housing with mounting plate
Housing colour	Grey
Dimensions W x H x L	106 x 64 x 45 mm
Dimensions mounting plate	120 x 64 mm
Mounting type	Base plate, 4 long mounting holes
Weight approx.	380 g
Materials	Housing: Hostaform POM, grey Base plate: steel zinc-coated

Totalizers mechanic

Meter counter

Display 5 digits, manual reset (zero) by lever

M 410

Part number

M 410. 010

Display / direction of rotation

- C 5 digits 9999.9 / I
- D 5 digits 9999.9 / II
- E 5 digits 999,99 / I
- F 5 digits 999,99 / II
- G 5 digits 9999.95 / I
- H 5 digits 9999.95 / II

Count mode / drive

- 02 1 revolution = 10 digits =
1.0 m / drive shaft on both sides*
- 03 2 revolutions = 10 digits =
1.0 m / drive shaft on both sides
(for mea. wheel circumf. 50 cm)
- 04 5 revolutions = 10 digits =
1.0 m / drive shaft on both sides*
(for mea. wheel circumf. 20 cm)
- 06 5 revolutions = 100 digits =
1.0 m / drive shaft on both sides*
(for mea. wheel circumf. 20 cm)
- 07 2 revolutions = 100 digits =
1.0 m / drive shaft on both sides*
(for mea. wheel circumf. 50 cm)

Housing

- A Surface mount housing, grey
- B Surface mount housing with hinge plate

Zero setting

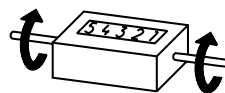
010 With reset lever

Accessories

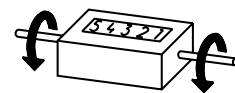
Measuring wheels

MR211.07A	Circumf. 20 cm, knurled aluminium
MR241.07D	Circumf. 20 cm, smooth Hytrel TPE-E
MR261.07A	Circumf. 20 cm, knopped rubber NBR Nitril
MR291.07D	Circumf. 20 cm, grooved Hytrel TPE-E
MR592.07D	Circumf. 50 cm, grooved Hytrel TPE-E
MR512.07A	Circumf. 50 cm, knurled aluminium
MR542.07D	Circumf. 50 cm, smooth Hytrel TPE-E
MR552.07A	Circumf. 50 cm, smooth Vulkollan PUR
MR562.07A	Circumf. 50 cm, knopped rubber NBR Nitril

Direction of strokes and rotation



Away from user
Direction of rotation or
stroke direction I



Towards user
Direction of rotation or
stroke direction II

Totalizers mechanic

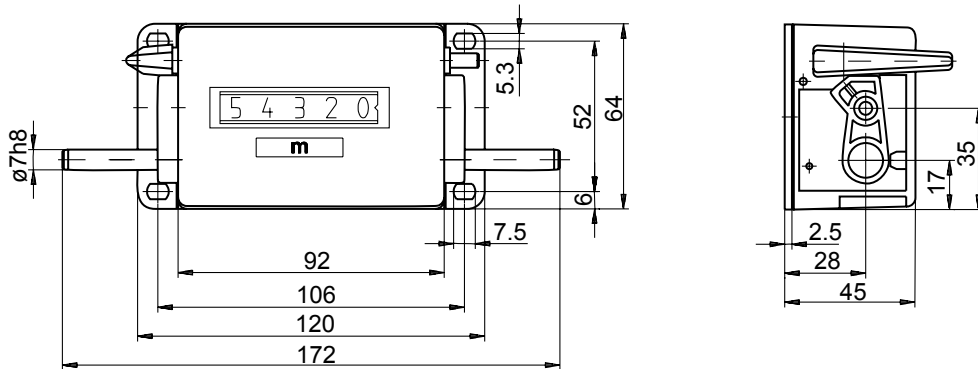
Meter counter

Display 5 digits, manual reset (zero) by lever

M 410

Dimensions

Without hinge plate



With hinge plate

