

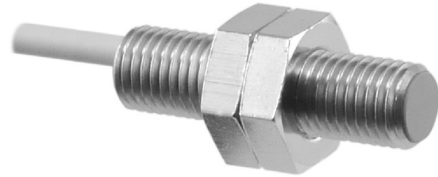
MFRM 08P3524/PL

Magnetic proximity switches

Article number: 11050344

Overview

- magneto-resistive
- 60 mm
- PNP break function (NC)
- cable PUR, 2 m
- -25 ... 75 °C
- IP 67



Picture similar



Technical data

General data

Type	Magneto-resistive
Nominal sensing distance Sn typ.	60 mm
Output indicator	LED red
Mounting type	Flush
Nominal operation point	2,5 mT
Hysteresis	2 ... 20 % of Sr
Repeat accuracy	< 1 % of Sr

Electrical data

Switching frequency	< 5 kHz
Voltage supply range +Vs	10 ... 30 VDC
Current consumption max. (no load)	20 mA
Voltage drop Vd	< 3 VDC

Electrical data

Output current	< 150 mA
Output circuit	PNP break function (NC)
Short circuit protection	Yes
Reverse polarity protection	Yes, Vs to GND

Mechanical data

Material (sensing face)	PBT
Type	Cylindrical threaded
Dimension	8 mm
Housing material	Stainless steel
Housing length	30 mm
Connection types	Cable PUR, 2 m

Ambient conditions

Operating temperature	-25 ... +75 °C
Protection class	IP 67

Remarks

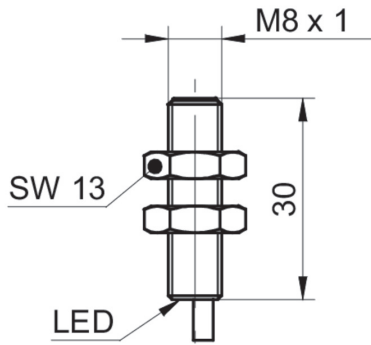
- Nominal sensing distance Sn typ. in conjunction with permanent magnet 11053959 (available as an accessory)

MFRM 08P3524/PL

Magnetic proximity switches

Article number: 11050344

Dimension drawing



Connection diagram

