

## Overview

- Ex-approved by ATEX II 2 G Ex db IIC T4/T5 Gb (gas)
- IEC Ex db IIC T4/T5 Gb (gas)
- EG design test certificate TÜV NORD CERT No. **TÜV 02 ATEX 1920 X IECEX TUN 11.0036X**
- Leakage of parasitical shaft currents
- Hollow shaft  $\varnothing 20 \dots 42$  mm



**HUBNER**  
BERLIN  
A Baumer Brand

## Technical data

### Technical data

Current load	≤1 A ≤12 A (short-term)
Operating speed	≤8500 rpm
Ambient temperature	-60...+50 °C (T5) -60...+60 °C (T4)
Admitted shaft load	≤150 N axial ≤200 N radial
Rotor moment of inertia	3.7 kgcm <sup>2</sup>
Operating torque	≤15 Ncm
Protection EN 60529	IP 56
Explosion protection	II 2 G Ex db IIC T4/T5 Gb Ex db IIC T4/T5 Gb

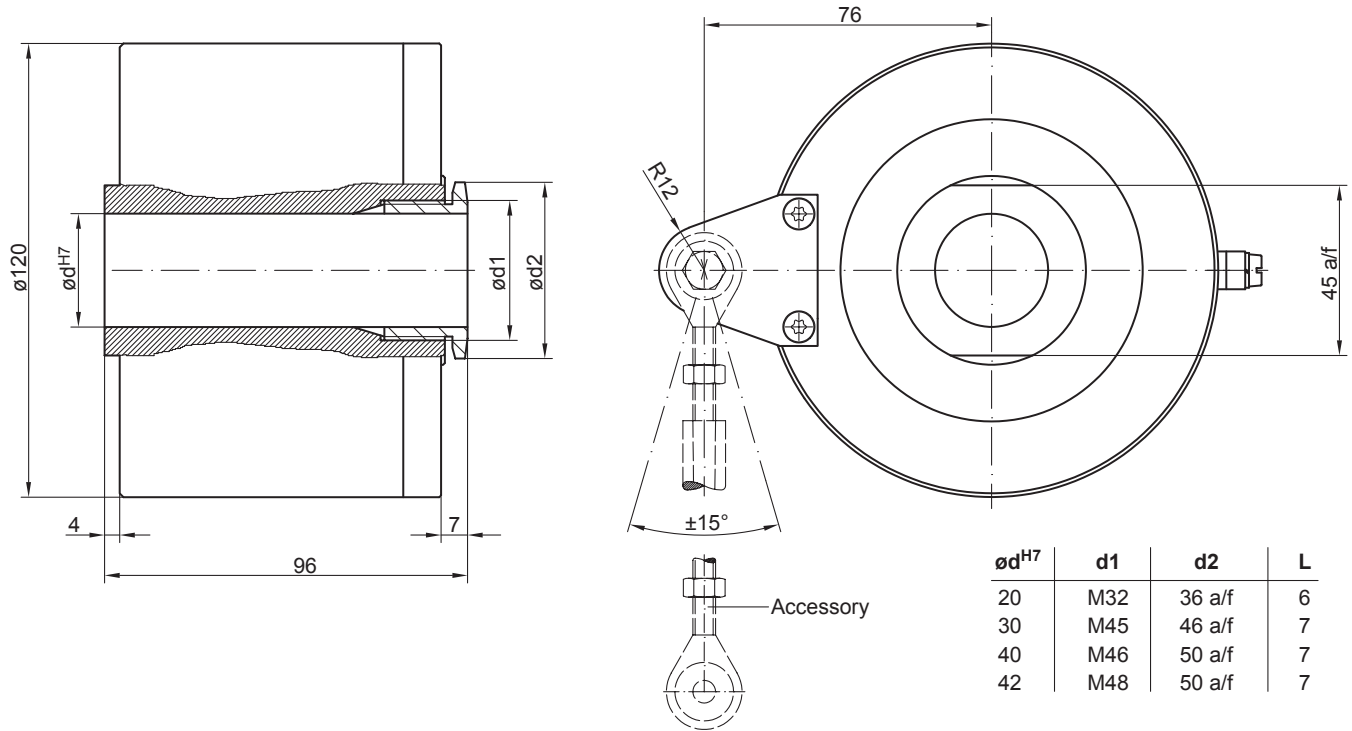
### Technical data

Weight approx.	3.5 kg
Shaft type	$\varnothing 20 \dots 42$ mm (through hollow shaft)
Material	Housing: aluminium
Resistance	IEC 60068-2-6 Vibration 10 g, 50-2000 Hz IEC 60068-2-27 Shock 100 g, 6 ms
Approval	CE ATEX IECEX

**Description**

The motor earthing unit is discharging parasitical shaft currents to avoid damage of the ball bearings.

**Dimensions**



$\varnothing d^H7$	d1	d2	L
20	M32	36 a/f	6
30	M45	46 a/f	7
40	M46	50 a/f	7
42	M48	50 a/f	7

2022-03-22 The product features and technical data specified do not express or imply any warranty. Technical modifications subject to change.