

Overview

- Glass-fiber reinforced plastic
- excellent resistance against temperature and chemicals
- Electrically isolated encoder mount



Technical data

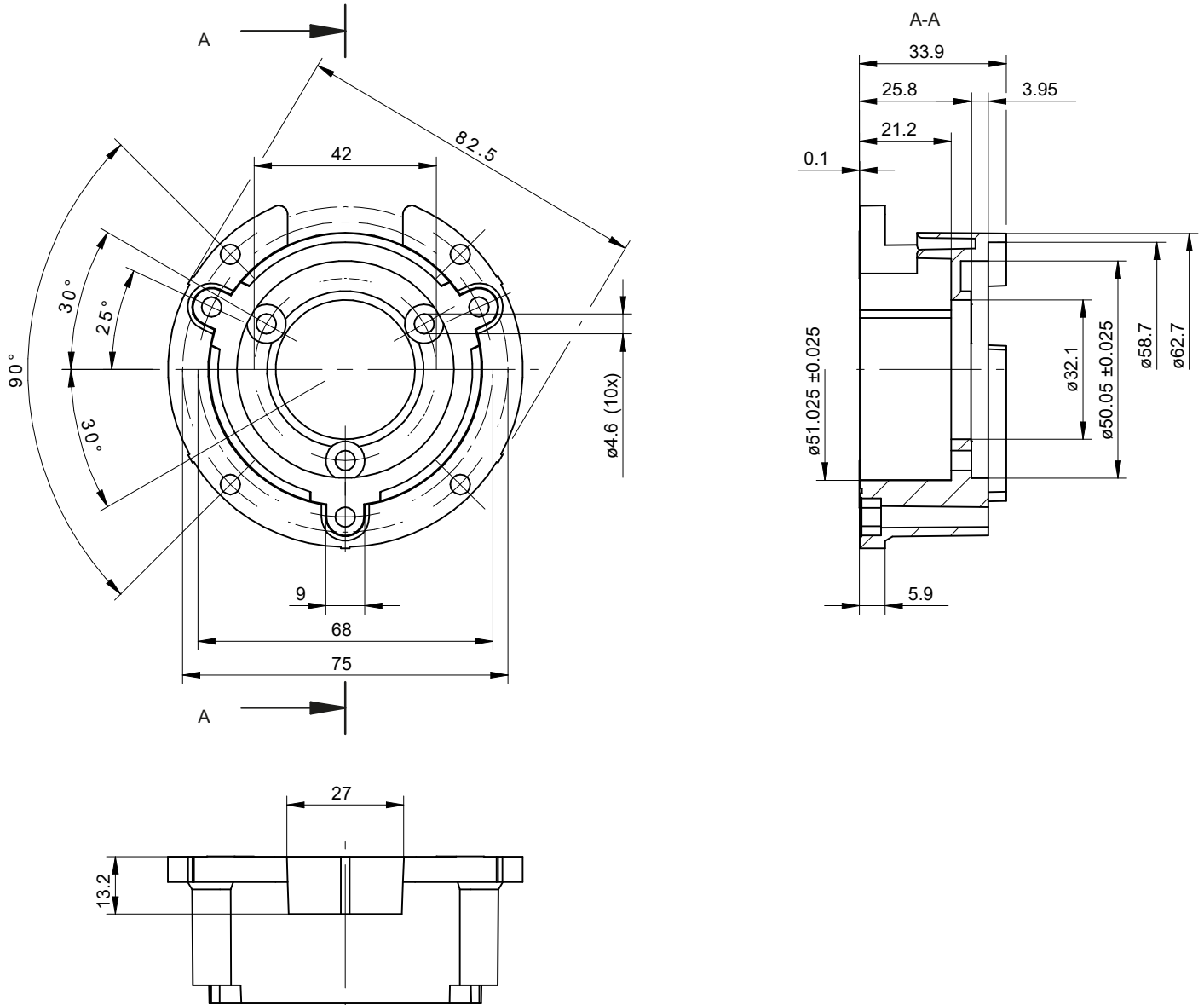
Technical data

Operating temperature -40...+85 °C

Description

- Necessary accessories: Set of eccentric fixings (Z 119.018 / 10117668) with 3x eccentric fixings, screws and nuts

Dimensions



Accessories

Mounting accessories

- | | |
|----------|---|
| 10117668 | Set of eccentric fixings for mounting clamp (10117667) with 3x eccentric fixings, screws and nuts |
|----------|---|