

Mounting kit 019

Torque arm, 3-armed, bolt circle $\varnothing 76$ mm, mounting M3

Article number: 11073114

Overview

- For high-dynamic applications.



Technical data

Technical data - mechanical design

Weight approx. 10 g

Description

Torque support onto encoder by help of the attached screws. Push encoder onto the drive shaft and mount torque support onto the client side. Fastening clamping ring with clamping ring screw.

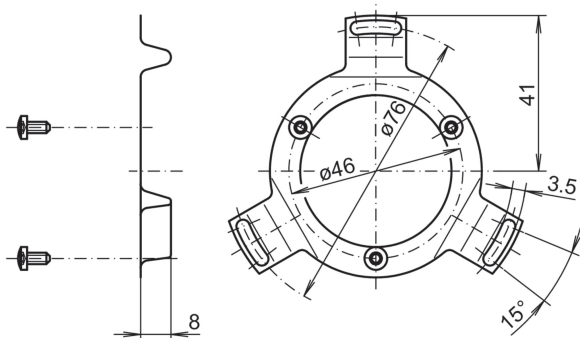
Scope of delivery

Torque support, three screws M3 x 6 (DIN 7985 - TX10)

Suitable for

ATD2AH00, ITD21H00, ITD21H00 HT, ITD22H00, ITD22H00 SIL

Dimensions



Assembly drawing

