

Mounting kit 028

Torque arm, 1-arm, bolt circle $\varnothing 74 \dots 94$ mm, mounting M6

Article number: 11067367

Overview

- For low-dynamic applications and constant movements



Technical data

Technical data - mechanical design

Weight approx. 10 g

Description

Torque support onto encoder by help of the attached screws. Push encoder onto the drive shaft and mount torque support onto the client side.

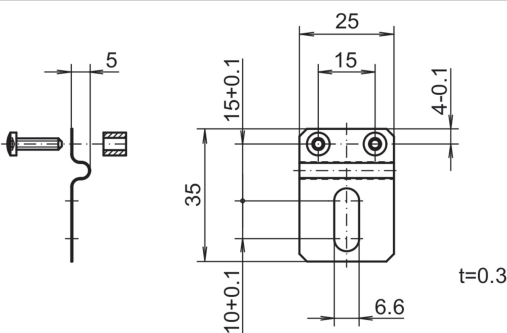
Scope of delivery

Torque support, two screws M3 x 12 (DIN 7985 - TX10) with two spacers 6 mm

Suitable for

EIL580-B, EIL580-T, EIL580P-B, EIL580P-T

Dimensions



Assembly drawing

