

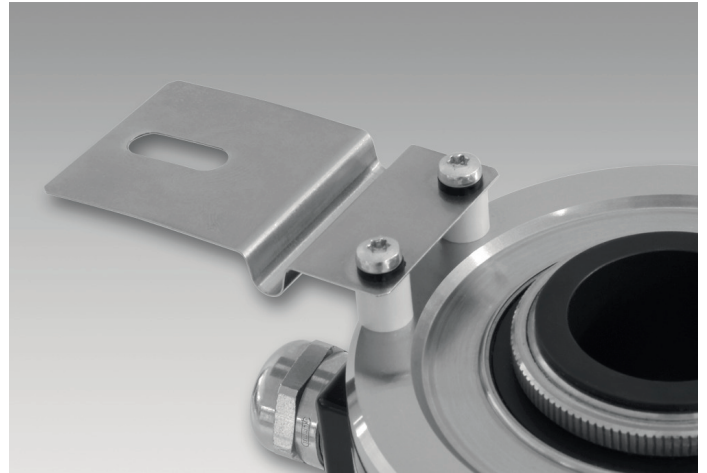
## Mounting kit 091

Torque arm, 1-arm, bolt circle  $\varnothing 113 \dots 133$  mm, mounting M5

Article number: 11066208

### Overview

- Suitable for an electrically isolated mounting.
- For low-dynamic applications and constant movements.



### Technical data

#### Technical data - mechanical design

Weight approx. 9 g

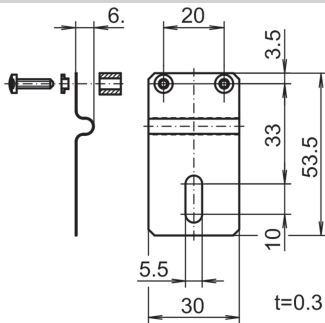
#### Description

Torque support onto encoder by help of the attached screws. Push encoder onto the drive shaft and mount torque support onto the client side. Fastening clamping ring with clamping ring screw.

#### Scope of delivery

Torque support, two screws M3 x 12 (DIN 7985 - TX10) with two electrically insulated spacers 7 mm and insulating sockets.

#### Dimensions



#### Assembly drawing

